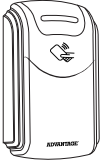
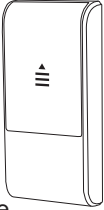

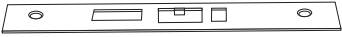
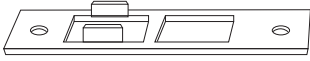
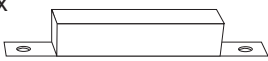
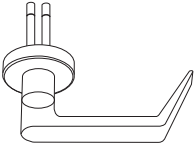
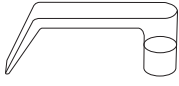

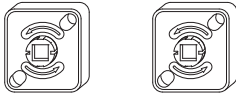





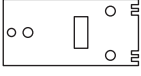







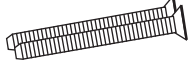



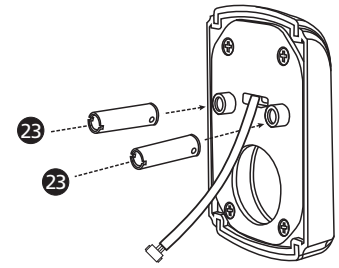


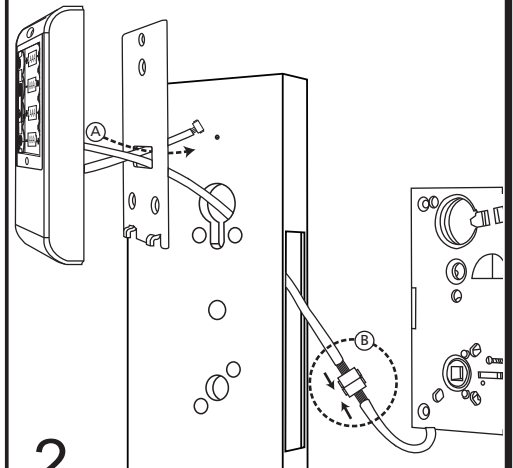
Parts List

- 1** Reader 
- 2** Battery Case & Control Unit 
- 3** Electronic Mortise Lock case 
- 4** Mortise Lock Armor plate 
- 5** Strike Plate 
- 6** Strike Box 
- 7** Outside Lever 
- 8** Inside Lever 
- 9** Thumb Turn Set with 2 Screws (Φ15/16", L=33/64") 
- 10** Lever Spring Cage 
- 11** Lever Mounting Plate 
- 12** Inside Lever Rose 
- 13** Lever Spindle 
- 14** Lever Spring 

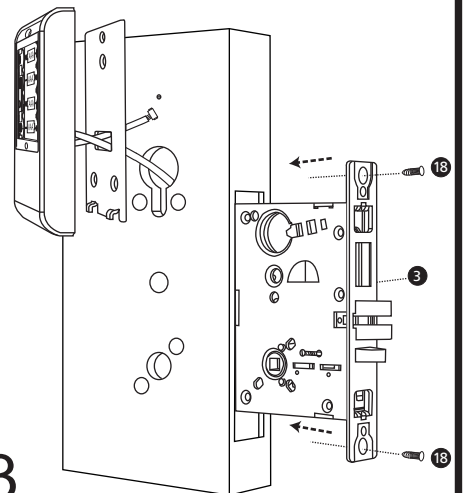
- 15** Outer Lever Ring 
- 16** Battery Case Mounting Plate 
- 17** Mortise Lock Armor plate set screws (#8-32, NC THREADS, Φ5/16", L=3/8") 
- 18** Fix Screws for Strike Plate & Mortise Latch case (Top #12-24, and bottom #10-A, Φ23/64", L=1-1/32") 
- 19** Lever Screw (#8-32, NC THREADS, Φ19/64", L=55/64") 
- 20** Mounting Screw (For Control Unit) (M4, L=8mm) 
- 21** Self Tapping Screw (Battery Case Mounting Plate) (Top #12-24, and bottom F10#3/4, Φ23/64", L=49/64") 
- 22** Reader Slide Cover Screw (M3, L=8mm) 
- 23** Reader Screw Post 
- 24** Screw (with Reader Post) (#8-32, NC THREADS, Φ23/64", L=1-3/8") 
- 25** Mortise Cylinder 
- 26** Batteries (AAA) 
- 27** Spanner Wrench 



1
Fasten two reader screw post **23** to reader case.



2
A. Pull the inside control unit cables through plate.
B. Connect cables between control unit and mortise.



3
Insert the mortise latch case **3** into the mortise pocket and please be careful not to clip or disconnect the cable while inserting the mortise latch case.

Federal Communication Commission Interference Statement

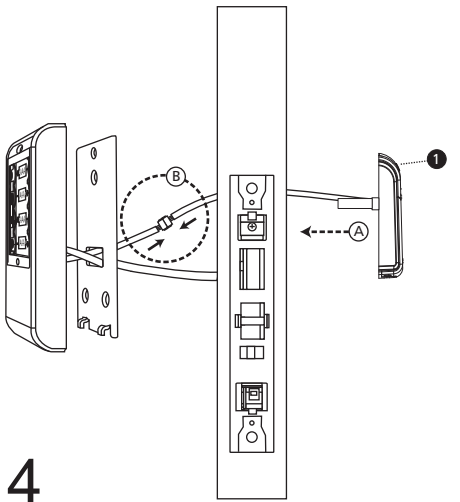
This equipment has been tested and found to comply with the limits for a Class B digital device, pursuant to Part 15 of the FCC Rules. These limits are designed to provide reasonable protection against harmful interference in a residential installation. This equipment generates, uses and can radiate radio frequency energy and, if not installed and used in accordance with the instructions, may cause harmful interference to radio communications. However, there is no guarantee that interference will not occur in a particular installation. If this equipment does cause harmful interference to radio or television reception, which can be determined by turning the equipment off and on, the user is encouraged to try to correct the interference by one of the following measures:

- Reorient or relocate the receiving antenna.
- Increase the separation between the equipment and receiver.
- Connect the equipment into an outlet on a circuit different from that to which the receiver is connected.
- Consult the dealer or an experienced radio/TV technician for help.

FCC Caution: To assure continued compliance, any changes or modifications not expressly approved by the party responsible for compliance could void the user's authority to operate this equipment. (Example - use only shielded interface cables when connecting to computer or peripheral devices).

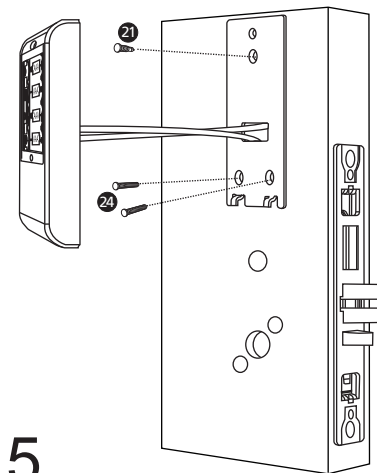
This device complies with Part 15 of the FCC Rules. Operation is subject to the following two conditions:

- (1) This device may not cause harmful interference, and (2) This device must accept any interference received, including interference that may cause undesired operation.



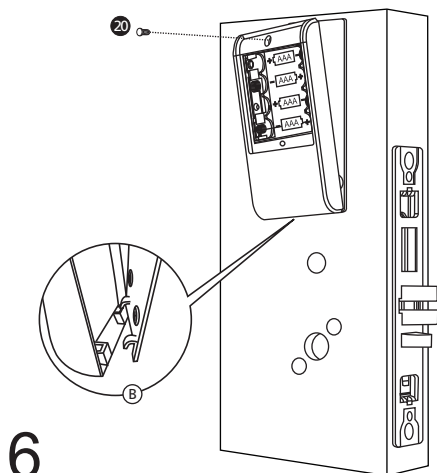
4

- A. Pull the reader cable 1 through the door and through the top of the mortise latch case. Install reader case onto the door
- B. Connect the cable between the reader case and control unit.



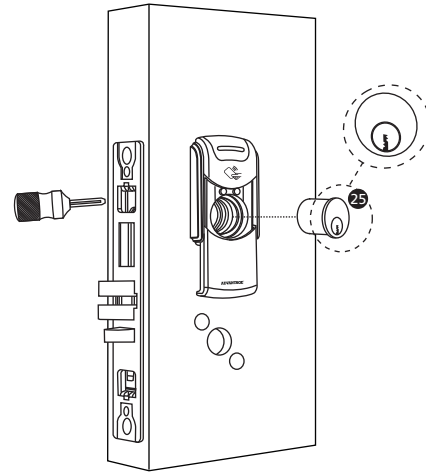
5

- A. Fasten the plate and reader with screws. 24
- B. Fasten the mounting screw. 21



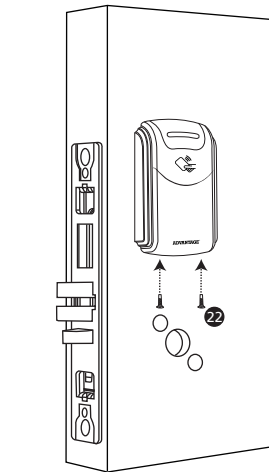
6

- A. Stuff the extra cables into the door.
- B. Slide the control unit from the bottom up and fasten it on the plate.
- C. Fasten the mounting screw 20 for the control unit.



7

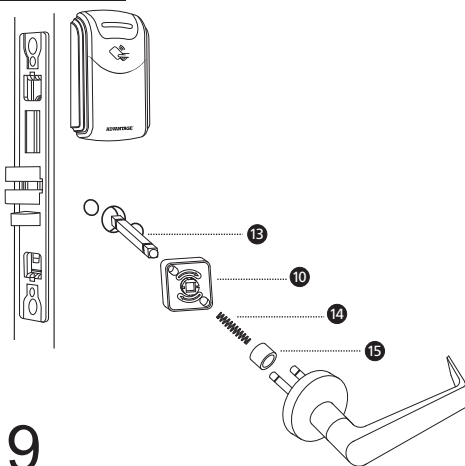
- A. Install the Mortise cylinder 25
- B. Use phillips screwdriver to tighten the screw for the cylinder from the side of Mortise lock



8

- Fasten the reader slide cover screws.

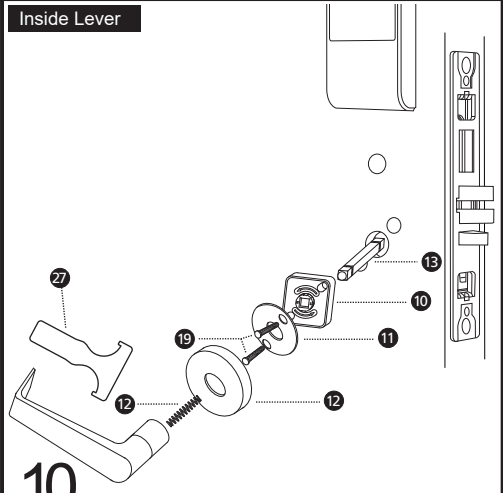
Outside Lever



9

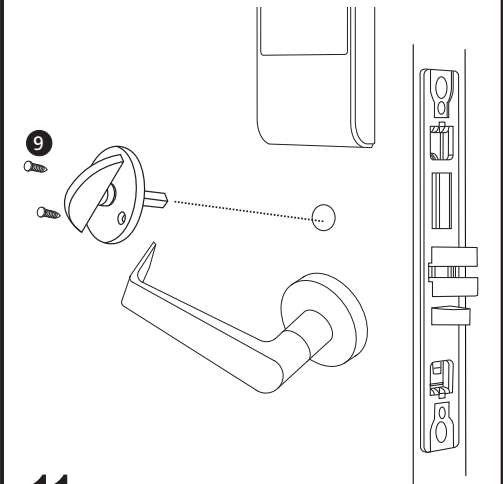
- A. Place lever spring cage 10 onto outside lever assembly with arrows pointing in direction of lever rotation. Insert lever spindle 13 into hub of lock case.
- B. Position outside lever assembly into post holes of lock case.

Inside Lever



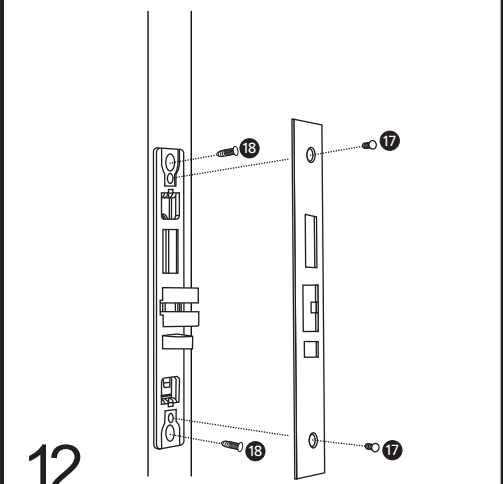
10

- A. Insert lever spindle 13 into hub of lock case.
- B. Place lever spring cage 10 with arrows pointing in direction of lever rotation and mounting plate (spring-mount assembly) onto lock case and fasten with screws.
- C. Cap inside rose over spring-mount assembly.
- D. Insert inside spring into lever hole and tighten inside lever bushing with spanner wrench.



11

- Insert turn piece assembly and fasten with screws. 9



12

- Fasten the screws onto mortise lock case and armor plate screws onto the armor plate.