



**Philadelphia Hardware Group Inc.**

6590 Top Gun Street  
 San Diego, CA 92121  
[www.philhardware.com](http://www.philhardware.com)  
 Tel

858.642.0450  
 858.545.2309  
 Fax  
 858.642.0454

## AGH-210HD Full Surface Gear Hinge

- Full Surface application.  
 (Where frame face dimension is limited.)
- Heavy duty for high frequency doors or heavy, medium frequency doors.
- Security channel covers.
- 1/32" (1 mm) inset

### SPECIFICATIONS

#### CLEARANCE:

1/32" (1 mm) minimum recommended for hinge side plus standard lock side clearance.  
 1-5/8" (41 mm) minimum frame face required plus 3/16" (5 mm) rotational clearance

#### FASTENERS:

- 1/4"-20 x 1-1/4" Sexbolt (Screw + Post)
- #12-24 X 11/16" Flat Head Self-Drill Screws.

#### LENGTH OPTIONS:

Standard 83" and 95", custom size available.

MATERIAL: Aluminum 6063-T6

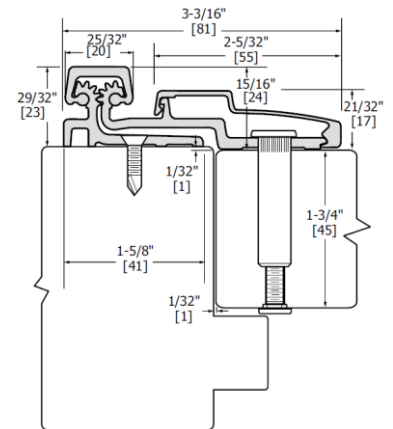
### Available Items

ITEM	LENGTH (CM)	FINISH
AGH-210HD-83	83" (210.8)	Clear Anodized
AGH-210HD-83	83" (210.8)	Dark Bronze
AGH-210HD-95	95" (241.3)	Clear Anodized
AGH-210HD-95	95" (241.3)	Dark Bronze

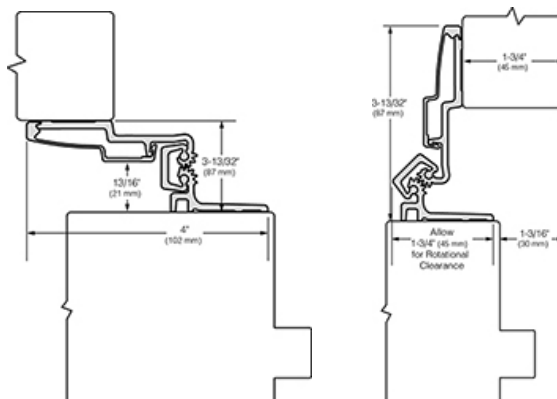
\* Special order for other size and finish.



**AGH-210HD Gear Hinge**



### Application Example



SAN DIEGO

CHICAGO

ATLANTA



6590 Top Gun Street  
 San Diego, CA 92121  
[www.philhardware.com](http://www.philhardware.com)

Tel

**Philadelphia Hardware Group Inc.**

858.642.0450

858.545.2309

Fax

858.642.0454

**APPLICATION TEMPLATE**

Example for 83"

