



Philadelphia Hardware Group Inc.

6590 Top Gun Street
 San Diego, CA 92121
www.philihardware.com
 Tel
 858.642.0450
 858.545.2309
 Fax
 858.642.0454

AGH-112HD Concealed Gear Hinge

- Full Mortise Concealed type.
 Concealed between the rabbet of the frame and the hinge edge of the door.
- Heavy duty for high frequency doors or heavy, medium frequency doors.
- Door & Frame leaf alignment rib for proper hinge and door location.

SPECIFICATIONS

CLEARANCE:

5/16" (8 mm) hinge side plus standard lock side clearance.

FASTENERS:

#12-24 X 11/16" Flat Head Self-Drill Screws

LENGTH OPTIONS:

Standard 83" and 95", custom size available.

MATERIAL: Aluminum 6063-T6



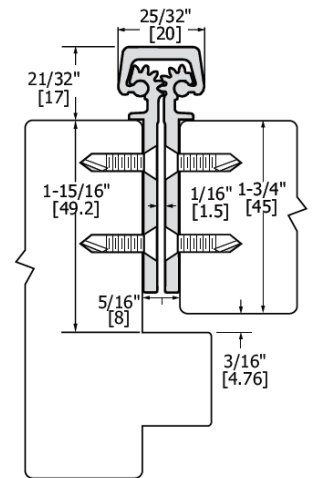
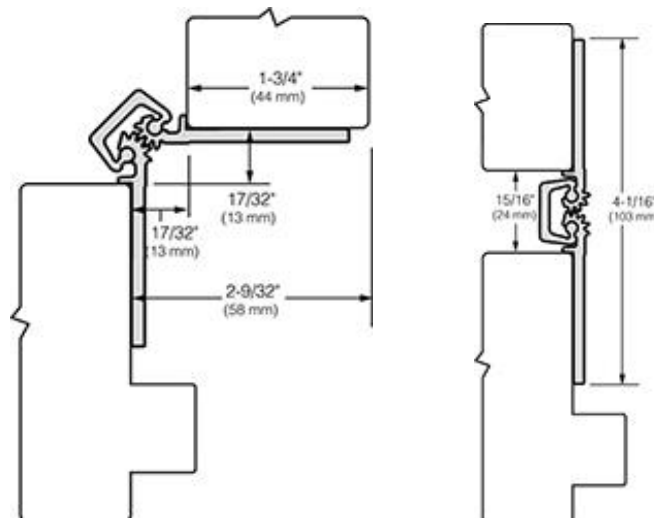
AGH-112HD Gear Hinge

Available Items

ITEM	LENGTH (CM)	FINISH
AGH-112HD-83	83" (210.8)	Clear Anodized
AGH-112HD-83	83" (210.8)	Dark Bronze
AGH-112HD-95	95" (241.3)	Clear Anodized
AGH-112HD-95	95" (241.3)	Dark Bronze

* Special order for other size and finish.

Application Example



SAN DIEGO

CHICAGO

ATLANTA

DALLAS



APPLICATION TEMPLATE

Example for 83"

