



**Philadelphia Hardware Group, Inc.**

6590 Top Gun Street  
San Diego, CA 92121  
[www.philihardware.com](http://www.philihardware.com)

Tel  
858.642.0450  
858.545.2309  
Fax  
858.642.0454

# Door Saver

## SPECIFICATIONS

- Material: Zinc Die-cast  
Complete with Rubber Stop and Plastic Spacer
- 5/16" Diameter Hinge Pin
- 1-7/8" Adjustable Rubber Head Screw
- Overall Size: 2" x 1-9/16"

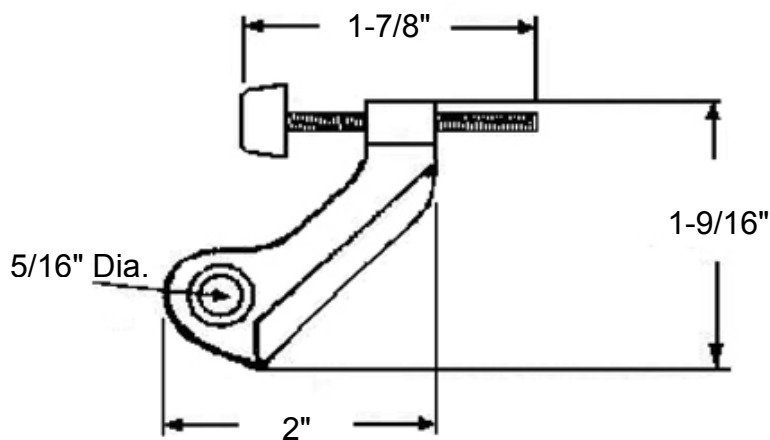
## FINISH

- US3, US5, US26, US15A, US15, US10B

## PACKAGING

- 1pc/plastic bag
- 50pcs/box

## DIMENSIONS



Not to Scale

SAN DIEGO

CHICAGO

SEATTLE