



6590 Top Gun Street  
San Diego, CA 92121  
[www.philihardware.com](http://www.philihardware.com)  
Tel

**Philadelphia Hardware Group, Inc.**

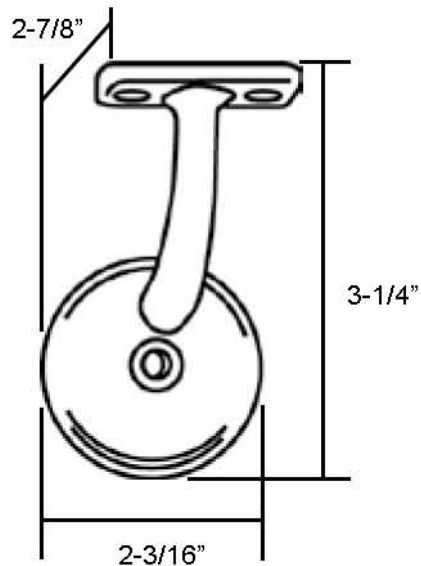
858.642.0450  
858.545.2309  
Fax  
858.642.0454

<b>Category</b>	<b>Trim Hardware</b>
<b>Product Name</b>	<b>Decorative Handrail Bracket</b>
<b>Product Code</b>	<b>406500</b>

### Description

Material: Zinc Die-cast  
Surface Mount Application  
Base: 2-3/16" Diameter  
Complete with 2 x 1-1/4" and 1 x 2" Screws  
Overall Size: 2-3/16" x 3-1/4"  
Projection: 2-7/8" from Mounting Surface

**Available Finish:** US3, US26, US26D, US15A, US15, US10B



SAN DIEGO

•

CHICAGO

•

SEATTLE