

FOR DS-01 AND DS-02 SILENCERS:

ON SINGLE DOOR FRAMES, INSTALL 3 SILENCERS IN VERTICAL STOP STRIP, AT LOCATIONS SHOWN IN FIGURE A. WHERE PAIRS OF DOORS CONTACT THE TOP STOP STRIP ONLY, INSTALL 4 SILENCERS, 2 FOR EACH DOOR. EACH SIDE OF THE STOP STRIP CENTER. NORMALLY ALLOW 1/16" CLEARANCE BETWEEN DOOR AND STOP STRIP. WHEN EQUIPPED WITH DOOR CLOSERS ALLOW 1/8" CLEARANCE.

-----CAUTION-----

AVOID GETTING PAINT OR VARNISH ON SILENCERS WHEN DOORS ARE BEING FINISHED.

DS-01 INSTALLATION:

INSERT BLUNT END OF 3/32" DIAMETER WIRE OR TOOL (FURNISHED), INTO THE HOLE IN CENTER OF SILENCER. MOISTEN CONE PORTION AND INSERT INTO 1/4" DIAMETER HOLE (OR ALTERNATELY  $\varnothing$  9/32 HOLE) IN STOP STRIP OF FRAME. PUSH SLOWLY WITH A CIRCULAR MOTION, WITH SUFFICIENT PRESSURE TO SET SILENCER IN FRAME.

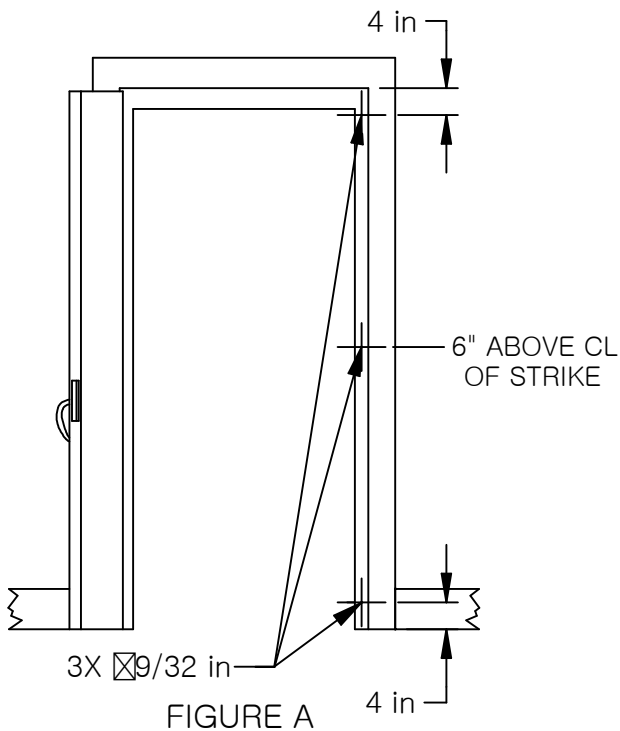
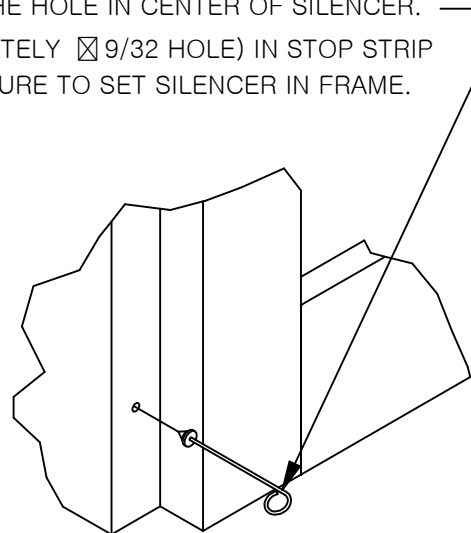
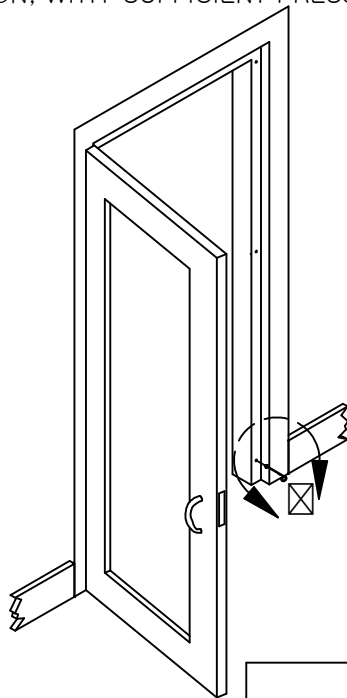
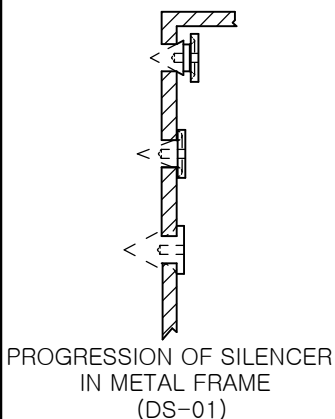


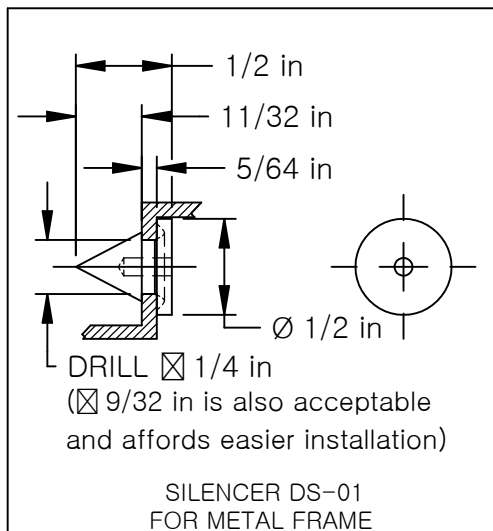
FIGURE A



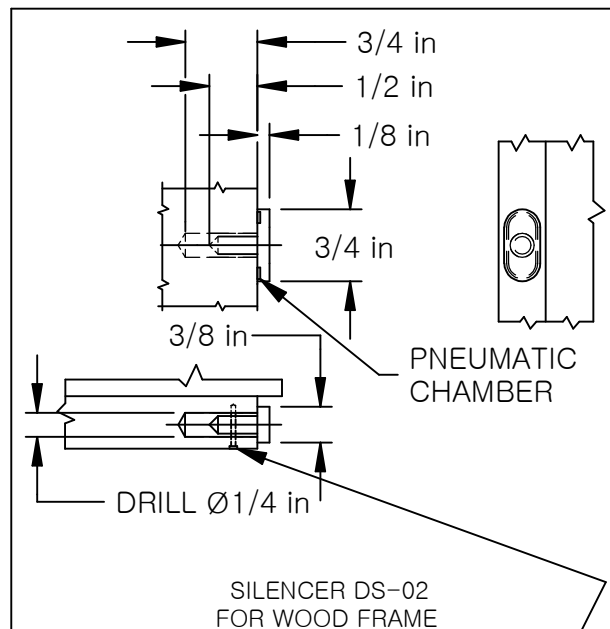
XXXXXXXXXX  
(FOR DS-01 ONLY)



PROGRESSION OF SILENCER IN METAL FRAME (DS-01)



SILENCER DS-01 FOR METAL FRAME



SILENCER DS-02 FOR WOOD FRAME

AFTER DRILLING HOLES IN STOP STRIP AT LOCATIONS IN FIGURE A, INSTALL DOOR SILENCERS IN POSITIONS SHOWN, TO ANCHOR SECURELY, DRIVE SMALL BRAD INTO STOP STRIP AND THRU STEM OF SILENCERS TO PREVENT REMOVAL.

REVISION RECORD:  
DRAWING SUPERSEDES TEMPLATE # 11543, SGH/JG, 10/23/#  
ADDED "(OR ALTERNATELY 9/32 HOLE)" TO 1229A INSTALLATION INSTRUCTIONS, JWJG, 12-16-14