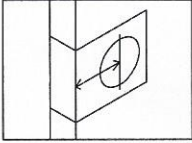


INSTRUCTIONS FOR INSTALLATION OF INTERCONNECTED LOCKS IN NEW DOORS OR THE REPLACEMENT OF EXISTING LOCKS FOR USE ON DOORS 1-5/8" TO 2" (41mm~51mm) THICKNESS

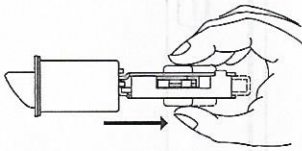
1. LATCH BACKSET ADJUSTMENT



Before proceeding:
Backset is the distance from the door edge to the center of lock, either 2-3/8" or 2-3/4" (60mm or 70mm).
Your latch backset was preset at the factory for 2-3/8" (60mm) backset.
If 2-3/4" (70mm) backset is required follow the adjustment instructions in Step 1A for latch and in 1D for deadbolt.
If 2-3/8" (60mm) backset is required.

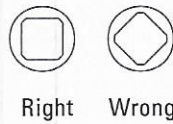
Latch Backset Adjustment :

1A



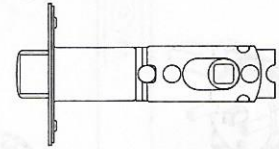
1A. If 2-3/4" (70mm) backset is required, pull spindle cam all the way to the right edge of adjusting hole.

1B



1B. Be sure the 2-3/4" (70mm) cam hole is properly aligned.

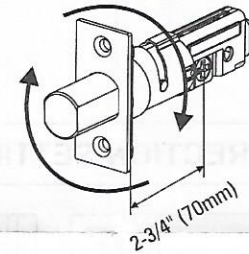
1C



1C. Your latch is now set for 2-3/4" (70mm) backset.

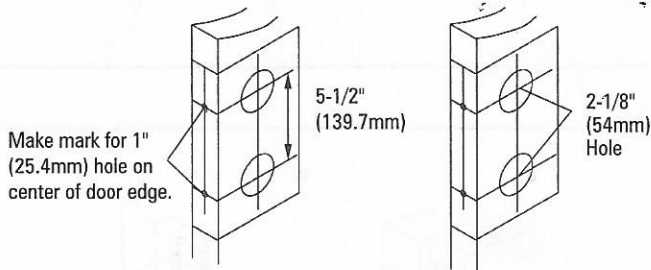
Deadlock Backset Adjustment :

To rotate the latch case as following illustration for backset 2-3/4" (70mm) or reverse direction for 2-3/8" (60mm).



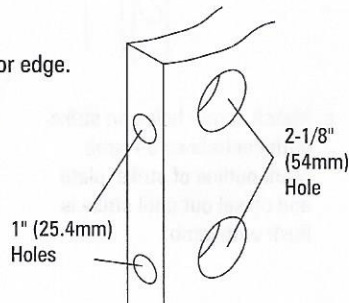
2. MARK DOOR

Use template enclosed to mark holes on door face.



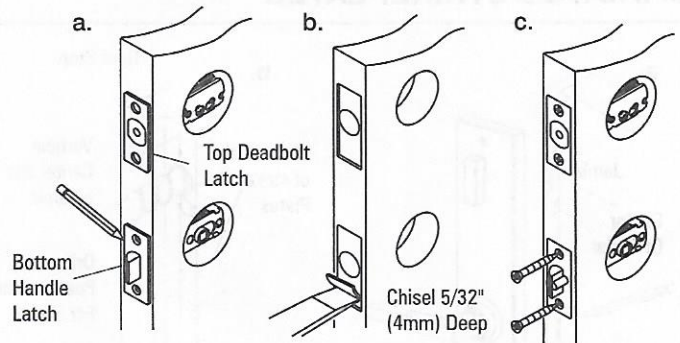
3. DRILL HOLES

- Drill 2-1/8" (54mm) holes from both sides of door to avoid splintering.
- Drill 1" (25.4mm) latch hole in door edge.
- Drill 1" (25.4mm) deadbolt hole 3-3/4" (95.26mm) deep.



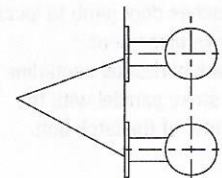
4. INSTALL LATCHES

- Insert latches in holes, keeping parallel to edge of door. Mark outline and remove latch.
- Chisel 5/32" (4mm) deep or until latch face is flush with door edge. Note: cut out must be parallel to edges of door.
- Insert bottom latch and secure with wood screws.



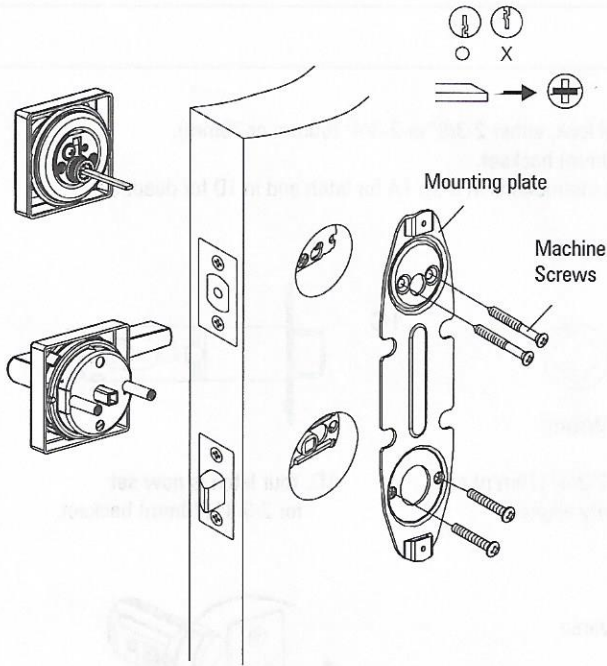
- Repeat procedure for top deadbolt latch. Note : watch the up mark stamped on deadbolt latch.

Face plate will be flush with door edge after tighten the screws.



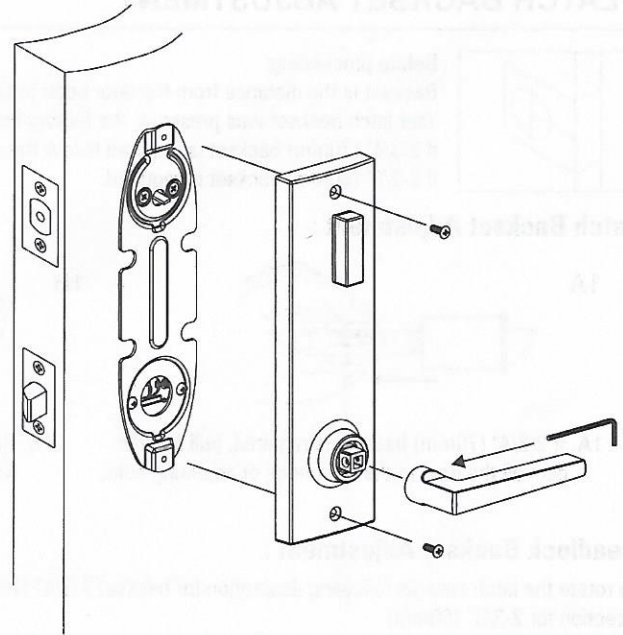
5. EXTERIOR ASSEMBLY

Place exterior deadbolt and lever spindle into latch. Press tightly against door face and fix with inside mounting plate by screws.

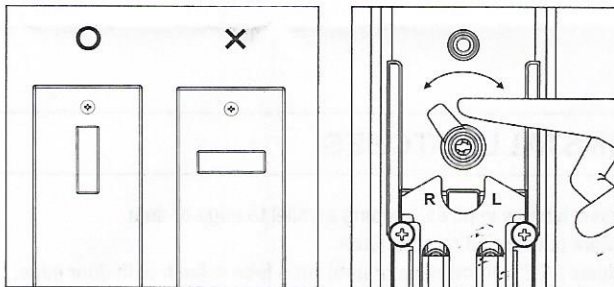


7. INSTALL INTERIOR MECHANISM

Put the cylinder tailpiece horizontally and get through the latch hole as illustration, then tighten the machine screws to fix. Secure and fasten the install interior mechanism firmly through the screws respectively. Refer to figure by using hex key to fasten lever onto Escutcheon.



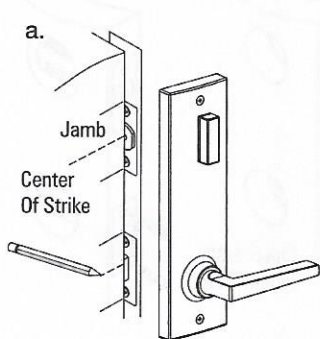
6. CAM DIRECTION SETTING PROCEDURE



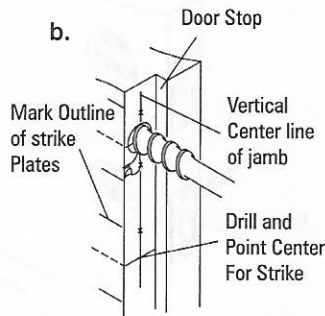
a. Install the mounting plate on the door with screws. Turn the turn-piece to a vertical position.

b. Switch the Cam position, and point to the latch bolt on your door. Caution: Be sure the cam is turned to the correct position. If the cam is set to the wrong position, the latch could not be retracted completely.

8. INSTALL STRIKEPLATES



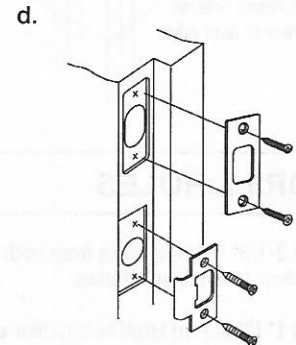
a. Close door until latch bolt touches door jamb to locate strike placement. Mark horizontal centerline of strike parallel with the center of the latch bolt.



b. Measure one half of door thickness from door stop and mark for the vertical centerline of strike. Drill aperture which is same as strike box 1-9/64" (29mm) deep at intersection of horizontal and vertical center line of strike.



c. Match screw holes on strike plate with centerlines on jamb. Mark outline of strike plate and chisel out until strike is flush with jamb.



d. Install strike plates, tighten screws. Adjustable tang on strike can be bent in or out to eliminate loose fit between door and door stop.