



Philadelphia Hardware Group, Inc.

6590 Top Gun Street
San Diego, CA 92121
www.philihardware.com

Tel
858.642.0450
858.545.2309
Fax
858.642.0454

CitiLoc 500T Series

**GRADE 3
VIENNA**

SPECIFICATIONS



Door Prep.	Cross bore: 2-1/8" Edge bore: Edge Bore: 1" Latch Face: 1" x 2-1/4"
Backset	Fits both 2-3/8" and 2-3/4".
Door Fitting	1-3/8" ~ 1-3/4" door thick.
Exposed Trim	Brass, Zinc Alloy or Stainless Steel
Keys	Key as requested (KA, KD, MCK, MK, GMK).
Cylinder	KW1 standard, SC1 optional.
Latch	2-3/8" and 2-3/4" adjustable Bolt: 1/2" throw. Faceplate: 1" x 2-1/4" round corner.
Strike	Full lip 1-3/4" x 2-1/4" round corner (9103).
Door Handing	Universal, non-handing
Function	500T – Entrance 501T – Passage 502T – Privacy 503T – Bathroom (interior with US26 Bright Chrome finish) 515T – Single Dummy
Finish	Stock Finish: US3 Polish Brass, US5 Antique Brass, US26 Bright Chrome US15 Satin Nickel, US10B Oil Rubbed Bronze
Lever Style	VIENNA (VI)

SAN DIEGO

•

CHICAGO



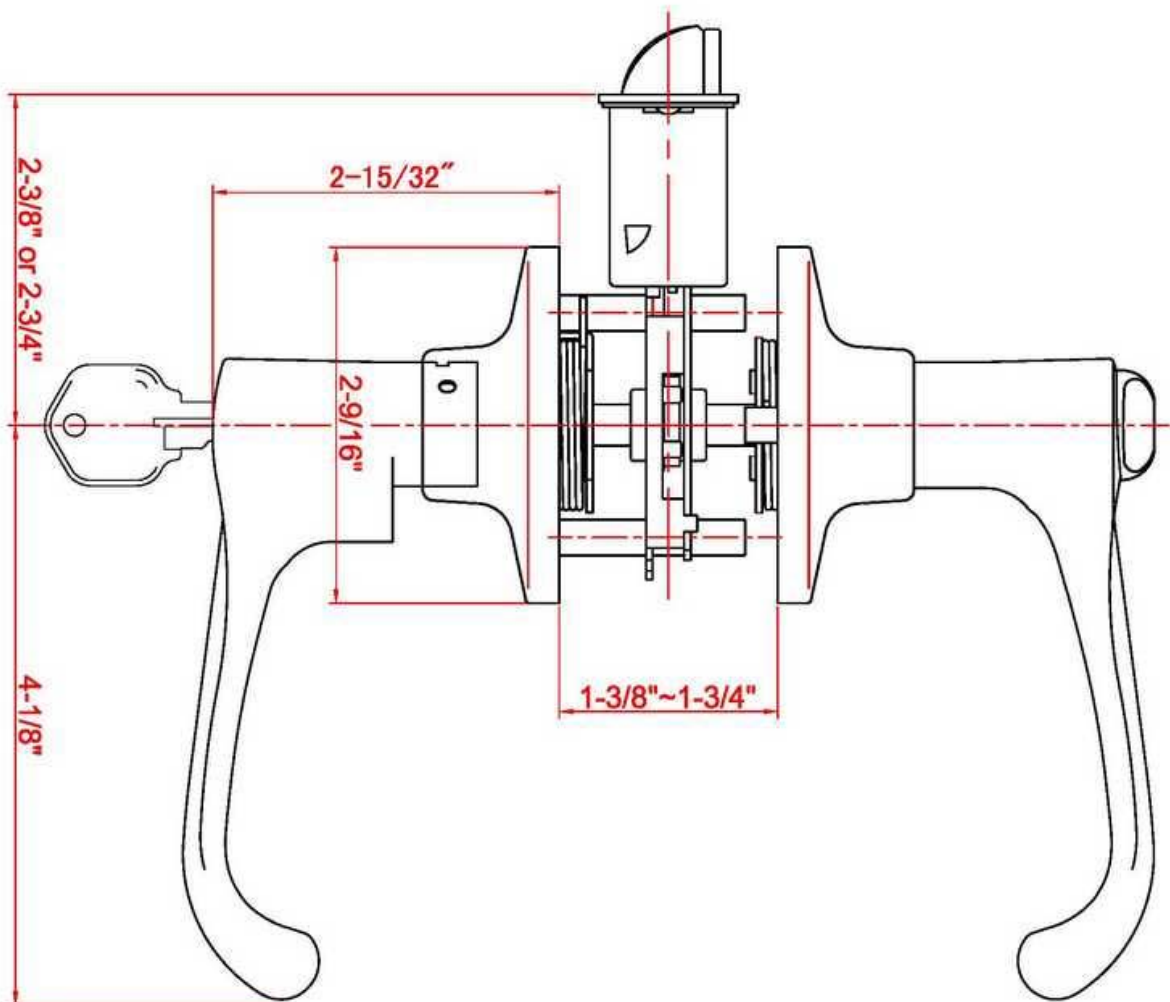
Philadelphia Hardware Group, Inc.

6590 Top Gun Street
San Diego, CA 92121
www.philihardware.com

Tel
858.642.0450
858.545.2309
Fax
858.642.0454

DIMENSIONS

(EXAMPLE: ENTRANCE)



SAN DIEGO

•

CHICAGO