



Philadelphia Hardware Group, Inc.

6590 Top Gun Street
San Diego, CA 92121
www.philihardware.com

Tel
858.642.0450
858.545.2309
Fax
858.642.0454

500T Series

**GRADE 3
SOUTH BAY**



**500T-SB-US15
Entrance**

SPECIFICATIONS

Door Prep	Cross bore: 2-1/8" Edge bore: Edge Bore: 1" Latch Face: 1" x 2-1/4"
Backset	Fits both 2-3/8" and 2-3/4".
Door Fitting	1-3/8" ~ 1-3/4" door thick.
Exposed Trim	Zinc or Stainless steel. Lever is zinc alloy.
Keys	Key as requested (KA, KD, MCK, MK, GMK).
Cylinder	KW1 standard, SC1 optional.
Latch	2-3/8" and 2-3/4" adjustable Bolt: 1/2" throw. Faceplate: 1" x 2-1/4" round corner.
Strike	Full lip 1-3/4" x 2-1/4" round corner (9103).
Door Handing	Universal, non-handing
Function	500T – Entrance 501T – Passage 502T – Privacy 515T – Single Dummy
Finish	Stock Finish: US15 Satin Nickel Factory available with US3, US10B, US15, US26, US26D, US12P. Available with minimum order quantity and longer delivery lead-time.
Lever Style	South Bay (SB) Standard



Philadelphia Hardware Group, Inc.

6590 Top Gun Street
San Diego, CA 92121
www.philihardware.com

Tel

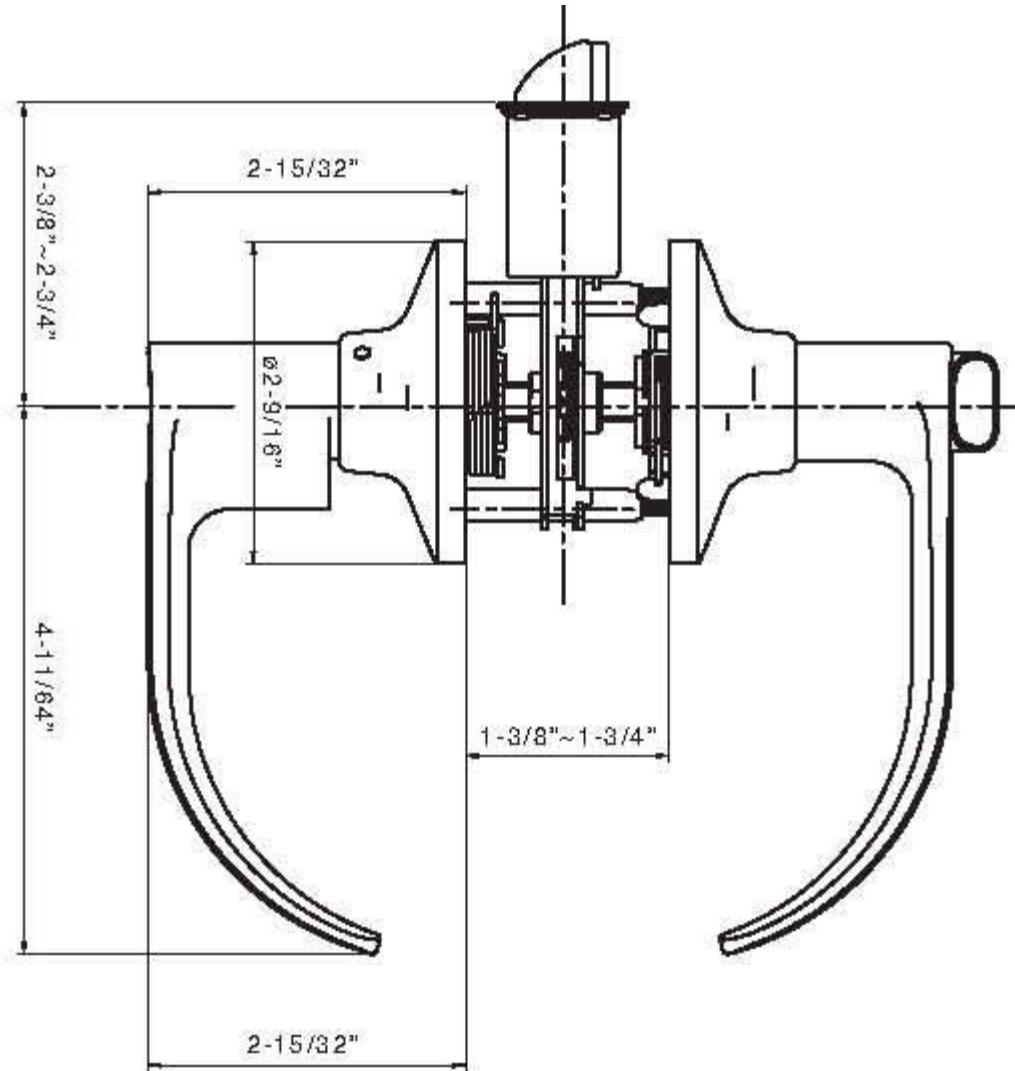
858.642.0450

858.545.2309

Fax

858.642.0454

DIMENSIONS



SAN DIEGO

•

CHICAGO

•

SEATTLE