



Philadelphia Hardware Group Inc.

6590 Top Gun Street
San Diego, CA 92121
www.philihardware.com

Tel
858.642.0450
858.545.2309
Fax
858.642.0454

CitiLoc 500T-ST Entrance

GRADE 3 SCOTTSDALE

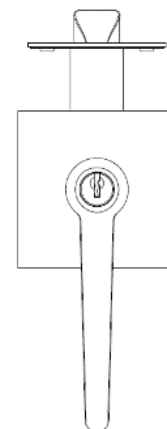
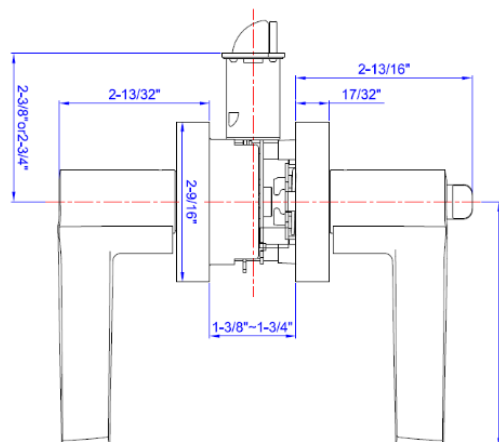
SPECIFICATIONS

Door Prep	Cross bore: 2-1/8" Edge bore: Edge Bore: 1" Latch Face: 1" x 2-1/4"
Backset	Fits both 2-3/8" and 2-3/4".
Door Fitting	1-3/8" ~ 1-3/4" door thick.
Exposed Trim	Brass cylinder, Zinc Alloy lock body
Keys	Key as requested (KA, KD, MCK, MK, GMK).
Cylinder	KW1 standard, SC1 optional.
Latch	2-3/8" and 2-3/4" adjustable Dead latch Bolt: 1/2" throw. Faceplate: 1" x 2-1/4" round corner.
Strike	Full lip 1-3/4" x 2-1/4" round corner (9103).
Door Handing	Reversible for right hand or left hand door.
Function	500T – Entrance
Finish	Stock Finish: US15 Satin Nickel US26 Bright Chrome
Lever Style	SCOTTSDALE (ST)



500T-ST-US26
Entrance

DIMENSIONS



SAN DIEGO

CHICAGO

ATLANTA

DALLAS



Philadelphia Hardware Group Inc.

6590 Top Gun Street
San Diego, CA 92121
www.philihardware.com

Tel
858.642.0450
858.545.2309
Fax
858.642.0454

CitiLoc 502T-ST Privacy

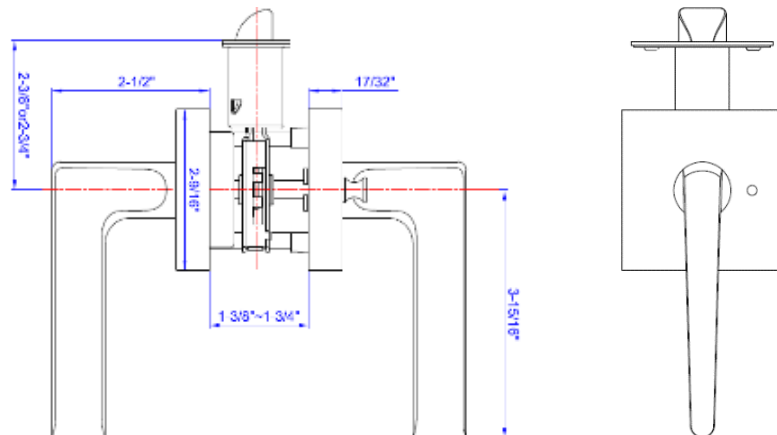
GRADE 3 SCOTTSDALE

SPECIFICATIONS

Door Prep	Cross bore: 2-1/8" Edge bore: Edge Bore: 1" Latch Face: 1" x 2-1/4"
Backset	Fits both 2-3/8" and 2-3/4".
Door Fitting	1-3/8" ~ 1-3/4" door thick.
Exposed Trim	Zinc Alloy lock body
Latch	2-3/8" and 2-3/4" adjustable Dead latch Bolt: 1/2" throw. Faceplate: 1" x 2-1/4" round corner.
Strike	Full lip 1-3/4" x 2-1/4" round corner (9103).
Door Handing	Reversible for right hand or left hand door.
Function	502T – Privacy 503T – Bathroom (interior with US26 finish)
Finish	Stock Finish: US15 Satin Nickel US26 Bright Chrome
Lever Style	SCOTTSDALE (ST)



DIMENSIONS



SAN DIEGO

CHICAGO

ATLANTA

DALLAS



Philadelphia Hardware Group Inc.

6590 Top Gun Street
San Diego, CA 92121
www.philihardware.com

Tel
858.642.0450
858.545.2309
Fax
858.642.0454

CitiLoc 501T-ST Passage

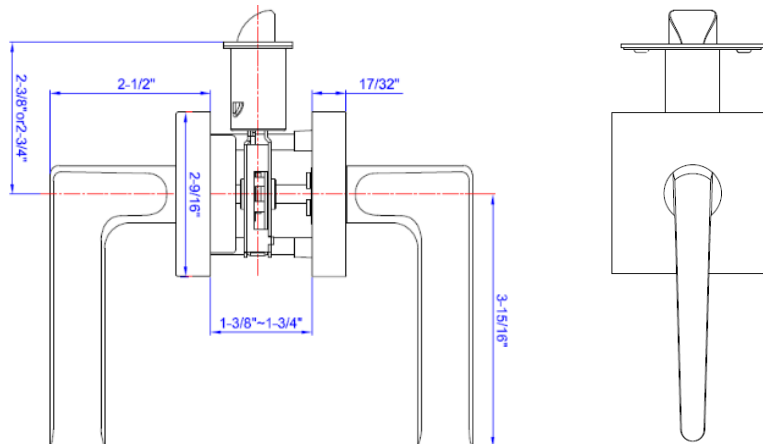
**GRADE 3
SCOTTSDALE**

SPECIFICATIONS

Door Prep	Cross bore: 2-1/8" Edge bore: Edge Bore: 1" Latch Face: 1" x 2-1/4"
Backset	Fits both 2-3/8" and 2-3/4".
Door Fitting	1-3/8" ~ 1-3/4" door thick.
Exposed Trim	Zinc Alloy lock body
Latch	2-3/8" and 2-3/4" adjustable Dead latch Bolt: 1/2" throw. Faceplate: 1" x 2-1/4" round corner.
Strike	Full lip 1-3/4" x 2-1/4" round corner (9103).
Door Handing	Reversible for right hand or left hand door.
Function	501T – Passage
Finish	Stock Finish: US15 Satin Nickel US26 Bright Chrome
Lever Style	SCOTTSDALE (ST)



DIMENSIONS



SAN DIEGO

CHICAGO

ATLANTA

DALLAS



Philadelphia Hardware Group Inc.

6590 Top Gun Street
San Diego, CA 92121
www.philihardware.com
Tel

858.642.0450
858.545.2309
Fax
858.642.0454

CitiLoc 515T-ST Dummy

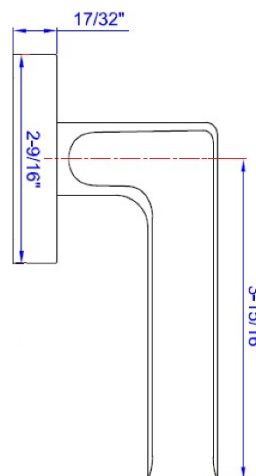
**GRADE 3
SCOTTSDALE**

SPECIFICATIONS

Door Prep	Not required.
Backset	Not required.
Door Fitting	Minimum door thick 1"
Exposed Trim	Zinc Alloy lock body
Latch	Not required.
Strike	Not required.
Door Handing	Reversible for right hand or left hand door.
Function	515T – Single Dummy
Finish	Stock Finish: US15 Satin Nickel US26 Bright Chrome
Lever Style	SCOTTSDALE (ST)



IMENSIONS



SAN DIEGO

CHICAGO

ATLANTA

DALLAS