



6590 Top Gun Street
 San Diego, CA 92121
www.philihardware.com
 Tel

Philadelphia Hardware Group Inc. 858.642.0450

858.545.2309
 Fax
 858.642.0454

200S Series

ANSI GRADE 3 Deadbolt

SPECIFICATIONS

Door Prep	Cross bore: 2-1/8" Edge Bore: 1" Latch Face: 1" round
Backset	Fits both 2-3/8" and 2-3/4".
Door Fitting	1-3/8" ~ 1-3/4" door thick.
Exposed Trim	Brass, or stainless steel.
Keys	Key as requested (KA, KD, MCK, MK, GMK).
Cylinder	5pins KW1 standard, SC1 optional.
Latch	2-3/8" and 2-3/4" adjustable Bolt: 1" throw, faceplate: 1" x 2-1/4" round corner.
Strike	2-1/4" x 1-3/4" round corner full lip strike (9117), or 2-1/4" x 1" round corner rectangular strike (9113) Other options available on request
Functions	200S – Single Cylinder 205S –One Sided, half-bore
Finish	Stock Finish: US15 , US26.

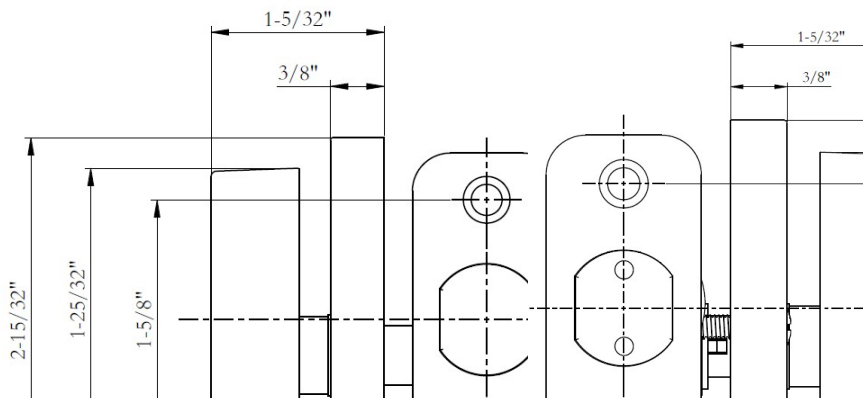


200S-US26

DIMENSIONS

FUNCTION: SINGLE CYLINDER

ONE SIDED (HALF-BORE)



SAN DIEGO

CHICAGO

ATLANTA

DALLAS