



Philadelphia Hardware Group, Inc.

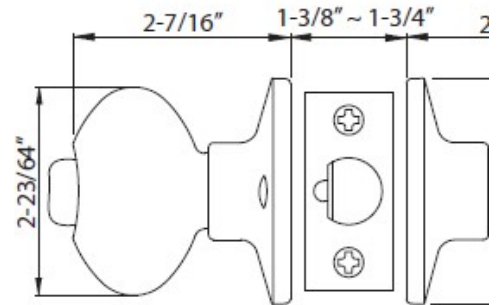
6590 Top Gun Street
 San Diego, CA 92121
www.philhardware.com
 Tel
 858.642.0450
 858.545.2309
 Fax
 858.642.0454

100T Series

**GRADE 3
 RUBY**



**101T-RY-US12P
 Passage**



SPECIFICATIONS

Door Prep	Cross bore: 2-1/8", Edge Bore: 1" Latch Face: 1" x 2-1/4"
Backset	Fits both 2-3/8" and 2-3/4".
Door Fitting	1-3/8" ~ 1-3/4" door thick. Optional for 2" door thick.
Exposed Trim	Zinc or Stainless steel. Lever is zinc alloy.
Keys	Key as requested (KA, KD, MCK, MK, GMK).
Cylinder	KW1 standard, SC1 optional.
Latch	2-3/8" and 2-3/4" adjustable Bolt: 1/2" throw. Faceplate: 1" x 2-1/4" round corner.
Strike	Full lip 1-3/4" x 2-1/4" round corner (9103).
Door Handing	Universal, non-handing.
Standard Function	100T – Entrance 101T – Passage 102T – Privacy 103T – Bathroom (interior with US26 Bright Chrome finish) 115T – Single Dummy
Finish	US3, US10B, US15, US26, US12P

SAN DIEGO

CHICAGO

DALLAS

ATLANTA