



Philadelphia Hardware Group, Inc.

6590 Top Gun St.
San Diego, CA 92121
www.philhardware.com
Tel: 858-642-0450
Fax: 858-642-0454

CitiLoc500T Series

**GRADE 3
Phoenix (PX)**

SPECIFICATIONS

Door Prep	Cross bore: 2-1/8" Edge bore: Edge Bore: 1" Latch Face: 1" x 2-1/4"
Backset	Fits both 2-3/8" and 2-3/4".
Door Fitting	1-3/8" ~ 1-3/4" door thick.
Exposed Trim	Brass, Zinc Alloy or Stainless Steel
Keys	Key as requested (KA, KD, MCK, MK, GMK).
Cylinder	KW1 standard, SC1 optional.
Latch	2-3/8" and 2-3/4" adjustable Bolt: 1/2" throw. Faceplate: 1" x 2-1/4" round corner.
Strike	Full lip 1-3/4" x 2-1/4" round corner (9103).
Door Handing	Universal, non-handing.
Function	500T – Entrance 500TP – Entrance(Push Button) 501T – Passage 502T – Privacy 502TP – Privacy(Push Button) 515T – Single Dummy
Finish	Stock Finish: US15 Satin Nickel US26 Polish Chrome US19 Matte Black
Lever Style	PHOENIX (PX)



SAN DIEGO

CHICAGO

ATLANTA

DALLAS

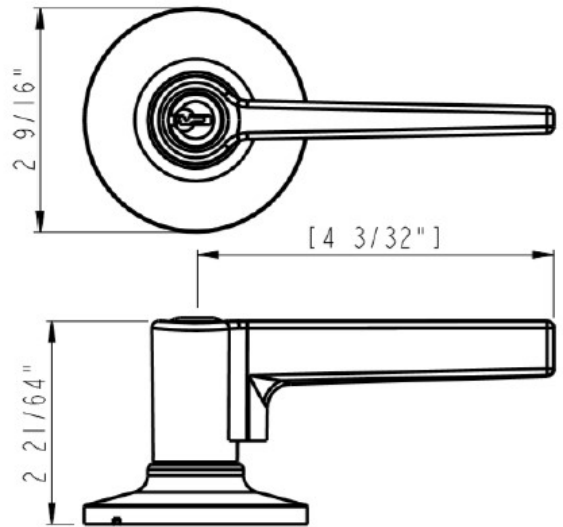
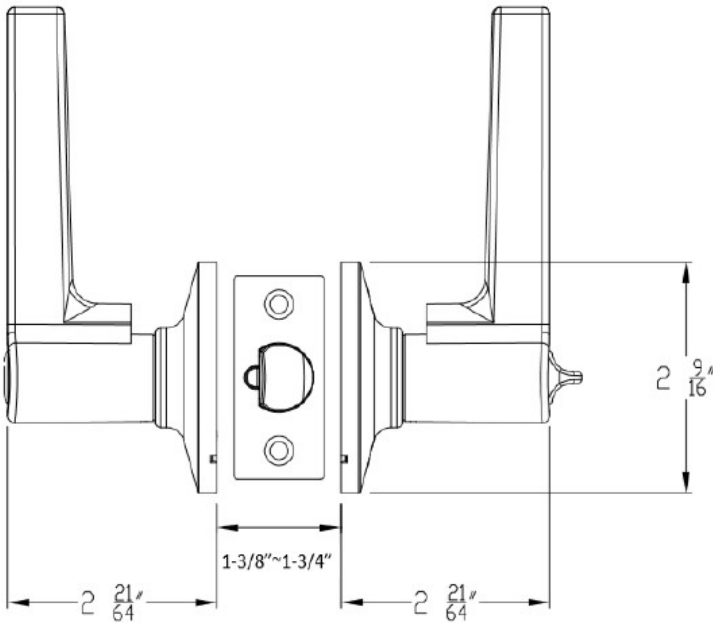


Philadelphia Hardware Group, Inc.

6590 Top Gun St.
San Diego, CA 92121
www.philhardware.com
Tel: 858-642-0450
Fax: 858-642-0454

DIMENSIONS

(EXAMPLE: ENTRANCE)



SAN DIEGO

·

CHICAGO

·

ATLANTA

·

DALLAS