



Philadelphia Hardware Group Inc.

6590 Top Gun Street
 San Diego, CA 92121
www.philihardware.com
 Tel

858.642.0450
 858.545.2309
 Fax
 858.642.0454

200LTR Series

Contemporary Deadbolt

SPECIFICATIONS

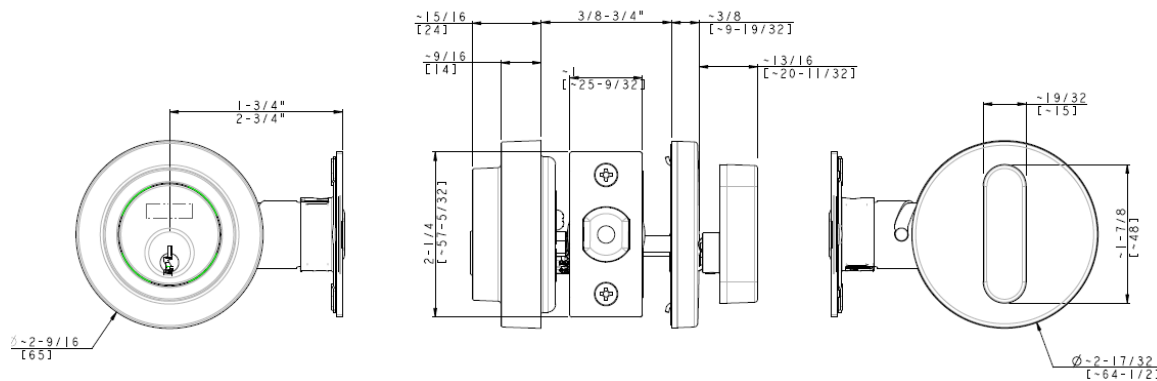
Door Prep	Cross bore: 2-1/8" Edge bore: Edge Bore: 1", Latch Face: 1" round
Backset	Fits both 2-3/8" and 2-3/4".
Door Fitting	1-3/8" ~ 1-3/4" door thick.
Exposed Trim	Zinc
Keys	Key as requested (KA, KD, MCK, MK, GMK).
Cylinder	5pins KW1 standard, SC1 optional.
Latch	2-3/8" and 2-3/4" adjustable Bolt: 1" throw, Faceplate: 1" x 2-1/4" round corner.
Function	200LTR – Single Cylinder 210LTR – Double Cylinder 205LTR – Half-Bore One Sided
Finish	Stock Finish: US15 Satin Nickel US26 Polish Chrome US26D Satin Chrome



**200LTR-US26
 Single Cylinder**

DIMENSIONS

(EXAMPLE: SINGLE CYLINDER, Square Corner Latch)



Not to Scale

SAN DIEGO

CHICAGO

ATLANTA

DALLAS