




Philadelphia Hardware Group, Inc.

6590 Top Gun Street
San Diego, CA 92121
www.philihardware.com
Tel

858.642.0450
858.545.2309
Fax
858.642.0454

400 Series KELLINGTON (KN) Handleset

SPECIFICATIONS

Door Prep	Cross bore: 2-1/8" Mounting (center to center): 5-1/2"
Backset	Fits both 2-3/8" and 2-3/4".
Door Fitting	1-3/8" ~ 1-3/4" door thick. Special order for 2" door thick
Exposed Trim	Zinc or Stainless steel. Escutcheon is zinc alloy.
Keys	Key as requested (KA, KD, MCK, MK, GMK).
Cylinder	KW1 standard, SC1 optional.
Latch	Upper deadbolt: 2-3/8" and 2-3/4" adjustable. Bolt: 1" throw with hardened steel rod insert. Lower handle: 2-3/8" and 2-3/4" adjustable, Bolt: 1/2" throw. Faceplate: 1" x 2-1/4" round or square corner.
	UL Latch available for both deadbolt and handle. 
Strike	Deadbolt: Full lip 1-3/4" x 2-1/4" round corner (9117). Rectangle 1" x 2-1/4" round corner (9113). Handle: Full lip 1-3/4" x 2-1/4" round corner (9103). * Square corner strike available on request.
Door Handing	Lever: RH for Right Hand, LH for Left Hand. Knob: Non-hand
Function	400 Entrance Single Locking 410 Entrance Double Locking 405 Dummy
Finish	US10B, US12P, US15, US26



400KN-US15



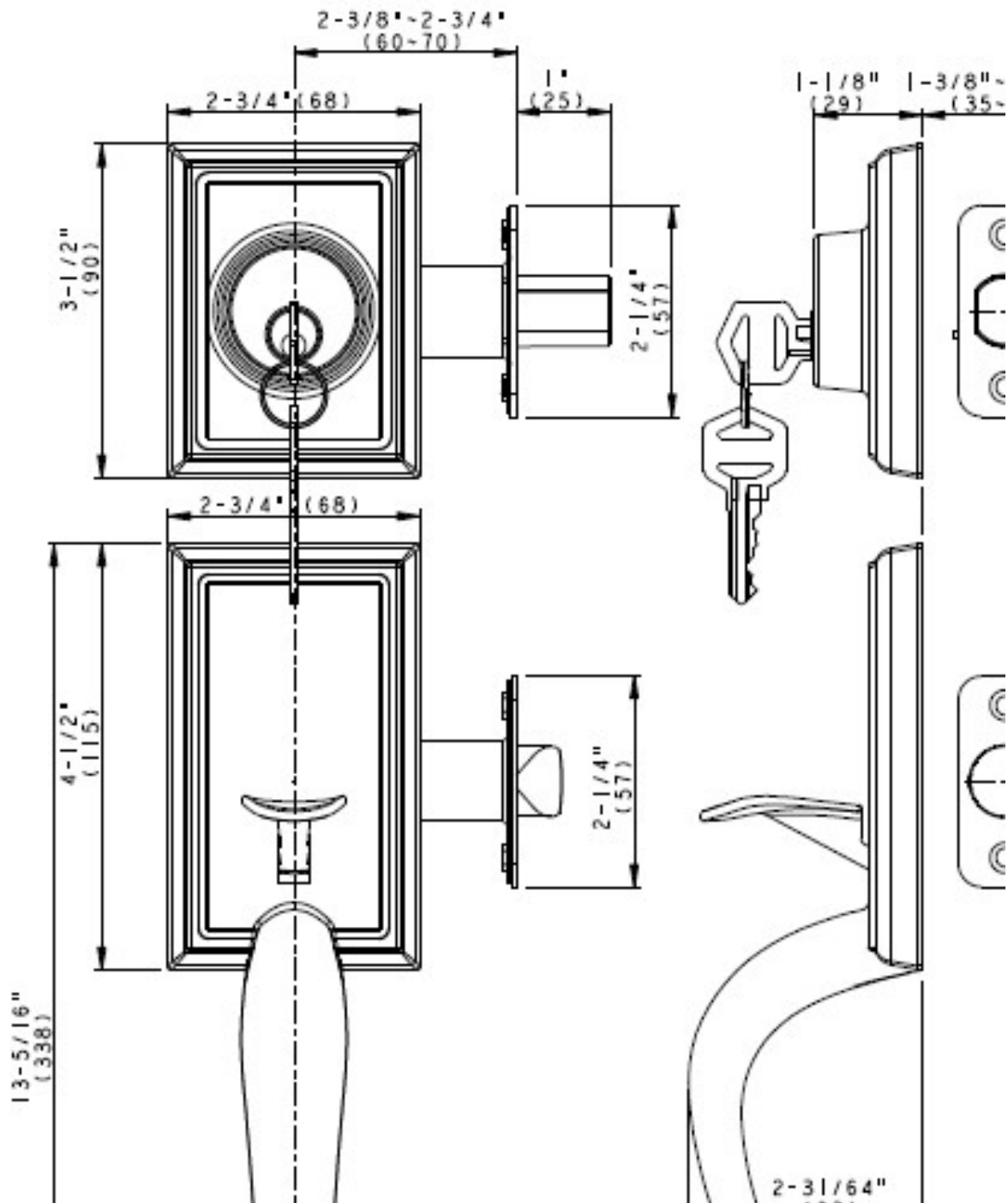
6590 Top Gun Street
San Diego, CA 92121
www.philhardware.com
Tel

Philadelphia Hardware Group, Inc.

858.642.0450
858.545.2309
Fax
858.642.0454

DIMENSIONS

Example of 400-KN/BA



SAN DIEGO

CHICAGO

ATLANTA

DALLAS