



Philadelphia Hardware Group Inc.

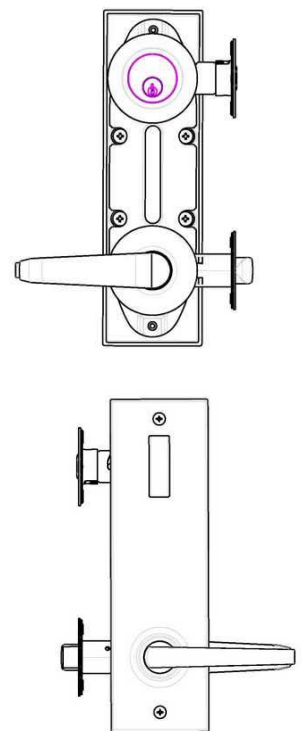
6590 Top Gun Street
San Diego, CA 92121
www.philihardware.com

Tel
858.642.0450
858.545.2309
Fax
858.642.0454

IS Series Interconnected Lock

SPECIFICATIONS

Door Prep	Cross bore: 2-1/8" Mounting (center to center): 5-1/2"
Backset	Fits both 2-3/8" and 2-3/4".
Door Fitting	1-5/8" ~ 2" door thick.
Exposed Trim	Zinc or Stainless steel. Lever is zinc alloy.
Keys	Key as requested (KA, KD, MCK, MK, GMK).
Cylinder	KW1 standard, SC1 optional.
Latch	Upper deadbolt: 2-3/8" and 2-3/4" adjustable. Bolt: 1" throw with hardened steel rod insert. Faceplate: 1" x 2-1/4" round corner. Lower handle: 2-3/8" and 2-3/4" adjustable. Bolt: 1/2" throw. Faceplate: 1" x 2-1/4" round corner. *** UL Latch Optional ***
Strike	Deadbolt: Full lip 1-3/4" x 2-1/4" round corner (9117). Handle: Full lip 1-3/4" x 2-1/4" round corner (9103).
Door Handing	Universal, non-handing
Function	ANSI F95 Entrance Single Locking
Finish	US15 & US26 Standard Other finishes available with minimum order quantity and longer delivery lead-time.
Lever Style	Exterior: San Diego (SD), Charlotte (CT) Interior: SOHO (SH) Standard Other lever style available with minimum order quantity and longer delivery lead-time.
Standard Items	301IS-SD/SH-US15 (Exterior SD Lever/Interior SH lever) 301IS-SD/SH-US26 (Exterior SD Lever/Interior SH lever) 301IS-CT/SH-US15 (Exterior CT Lever/Interior SH lever) 301IS-CT/SH-US26 (Exterior CT Lever/Interior SH lever)



301IS-SD/SH

SAN DIEGO

CHICAGO

ATLANTA

DALLAS

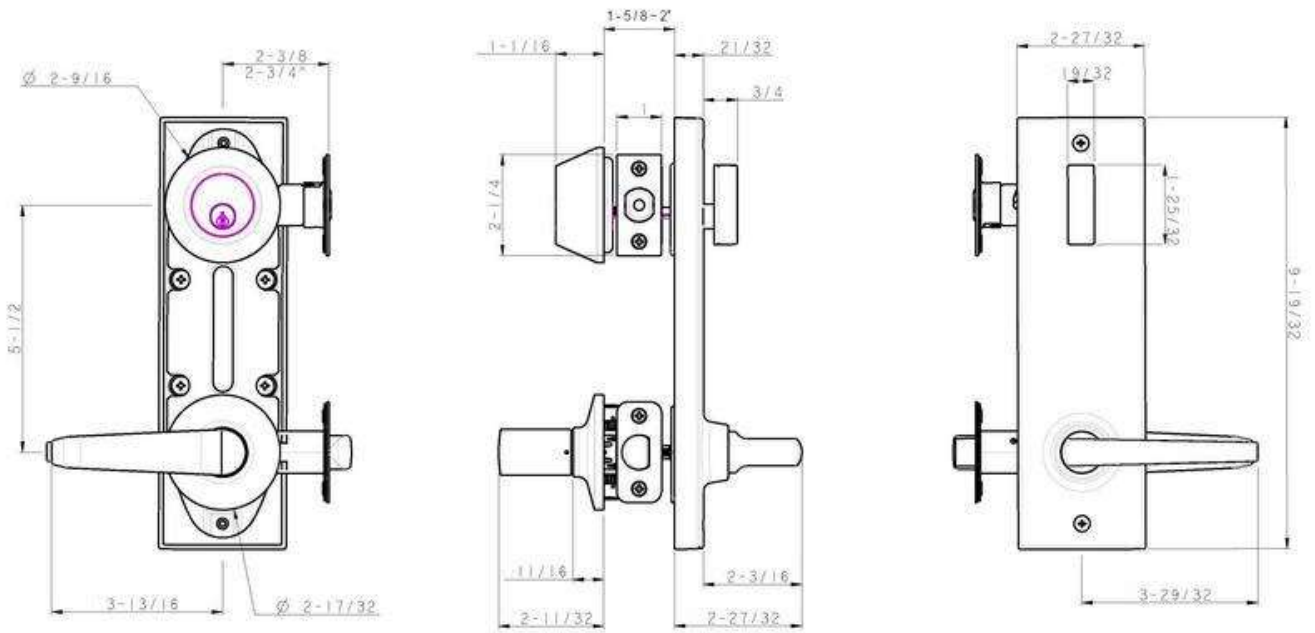


Philadelphia Hardware Group Inc.

6590 Top Gun Street
San Diego, CA 92121
www.philihardware.com

Tel
858.642.0450
858.545.2309
Fax
858.642.0454

DIMENSIONS



SAN DIEGO (SD)



CHARLOTTE (CT)

SAN DIEGO



CHICAGO



ATLANTA



DALLAS