



Philadelphia Hardware Group Inc.

6590 Top Gun Street
San Diego, CA 92121
www.philihardware.com

Tel
858.642.0450
858.545.2309
Fax
858.642.0454

Paper Holder

HOLLYWOOD

SPECIFICATIONS

- Material: Zinc die-cast Posts
- Concealed surface mounting application
- Dia. 7/8" x 6" Color plated roller with spring tension
- Finish: US26 Polished Chrome
US15 Satin Nickel



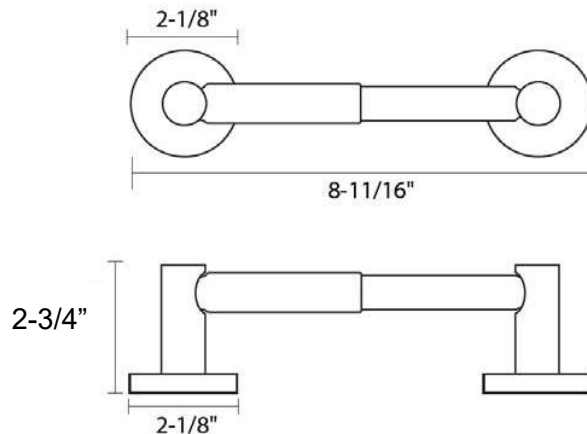
Paper Holder US26

PARTS

- Steel mounting plate x 2
- Plastic anchors x 4
- #8 x 1-1/4" steel Phillips head screws x 4

DIMENSIONS

- Projection: 2-3/4" from the mounting surface
- Overall Size: 2-1/8" x 8-11/16"



SAN DIEGO

CHICAGO

ATLANTA