



Philadelphia Hardware Group, Inc.

6590 Top Gun St.
 San Diego, CA 92121
 www.philhardware.com
 Tel: 858-642-0450
 Fax: 858-642-0454

CitiLoc 500T Series

**GRADE 3
 Florence (FR)**

SPECIFICATIONS

Door Prep	Cross bore: 2-1/8" Edge bore: Edge Bore: 1" Latch Face: 1" x 2-1/4"
Backset	Fits both 2-3/8" and 2-3/4".
Door Fitting	1-3/8" ~ 1-3/4" door thick.
Exposed Trim	Brass, Zinc Alloy or Stainless Steel
Keys	Key as requested (KA, KD, MCK, MK, GMK).
Cylinder	KW1 standard, SC1 optional.
Latch	2-3/8" and 2-3/4" adjustable Bolt: 1/2" throw. Faceplate: 1" x 2-1/4" round corner. Optional: 30min UL Rated Latch
Strike	Full lip 1-3/4" x 2-1/4" round corner (9103).
Door Handing	Universal, non-handing.
Function	500T – Entrance 500TP – Entrance(Push Button) 501T – Passage 502T – Privacy 502TP – Privacy(Push Button) 515T – Single Dummy
Finish	Stock Finish: US15 Satin Nickel US3 Bright Brass US26 Polish Chrome US10B Oil Rubbed Bronze
Lever Style	FLORENCE (FR)



SAN DIEGO

CHICAGO

ATLANTA

DALLAS

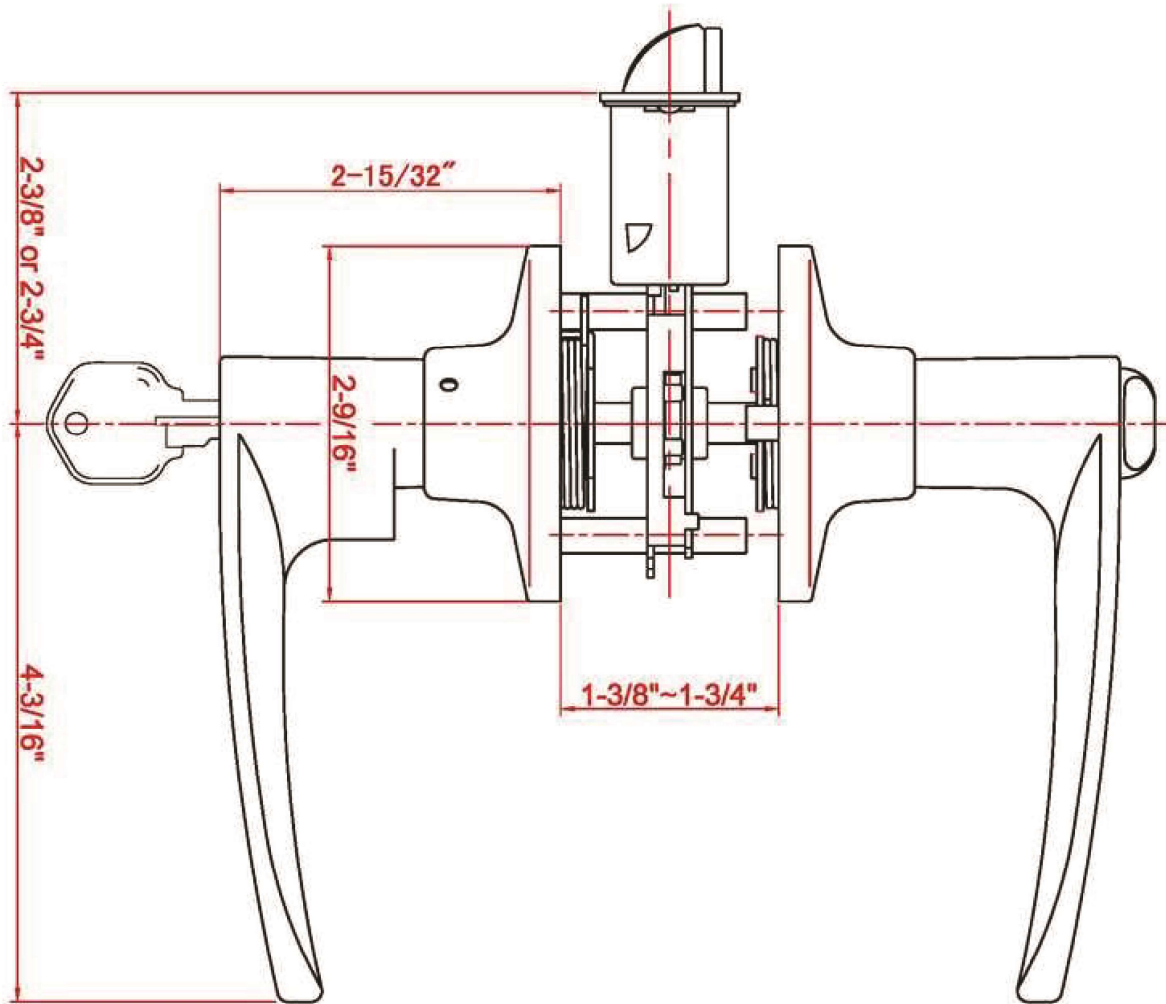


Philadelphia Hardware Group, Inc.

6590 Top Gun St.
San Diego, CA 92121
www.philhardware.com
Tel: 858-642-0450
Fax: 858-642-0454

DIMENSIONS

(EXAMPLE: ENTRANCE)



SAN DIEGO

CHICAGO

ATLANTA

DALLAS