



Philadelphia Hardware Group, Inc.

6590 Top Gun Street
San Diego, CA 92121
www.philihardware.com

Tel
858.642.0450
858.545.2309
Fax
858.642.0454

CitiLoc 400 Series

**GRADE 3
CORNELL**

SPECIFICATIONS

Door Prep.	Cross bore: 2-1/8" Edge bore: Edge Bore: 1" Latch Face: 1" x 2-1/4" Mounting bore distance(center to center): 5".
Backset	Fits both 2-3/8" and 2-3/4".
Door Fitting	1-3/8" ~ 1-3/4" door thick.
Exposed Trim	Brass or Zinc Alloy
Keys	Key as requested (KA, KD, MCK, MK, GMK).
Cylinder	KW1 standard, SC1 optional.
Latch	2-3/8" and 2-3/4" adjustable Latch Bolt for Deadbolt: 1" throw. Latch Bolt for Handle: 1/2" throw. Faceplate: 1" x 2-1/4" round corner.
Strike	Deadbolt – Full lip 1-3/4" x 2-1/4" round corner (9117). Handle – Full lip 1-3/4" x 2-1/4" round corner (9103).
Door Handing	Specify handing when ordering lever as interior design.
Function	400 – Single Cylinder 405 – Dummy 410 – Double Cylinder
Finish	Stock Finish: US3 Polish Brass, US5 Antique Brass, US26 Bright Chrome US15 Satin Nickel, US10B Oil Rubbed Bronze
Handleset Style	CORNELL (CO)



SAN DIEGO

•

CHICAGO



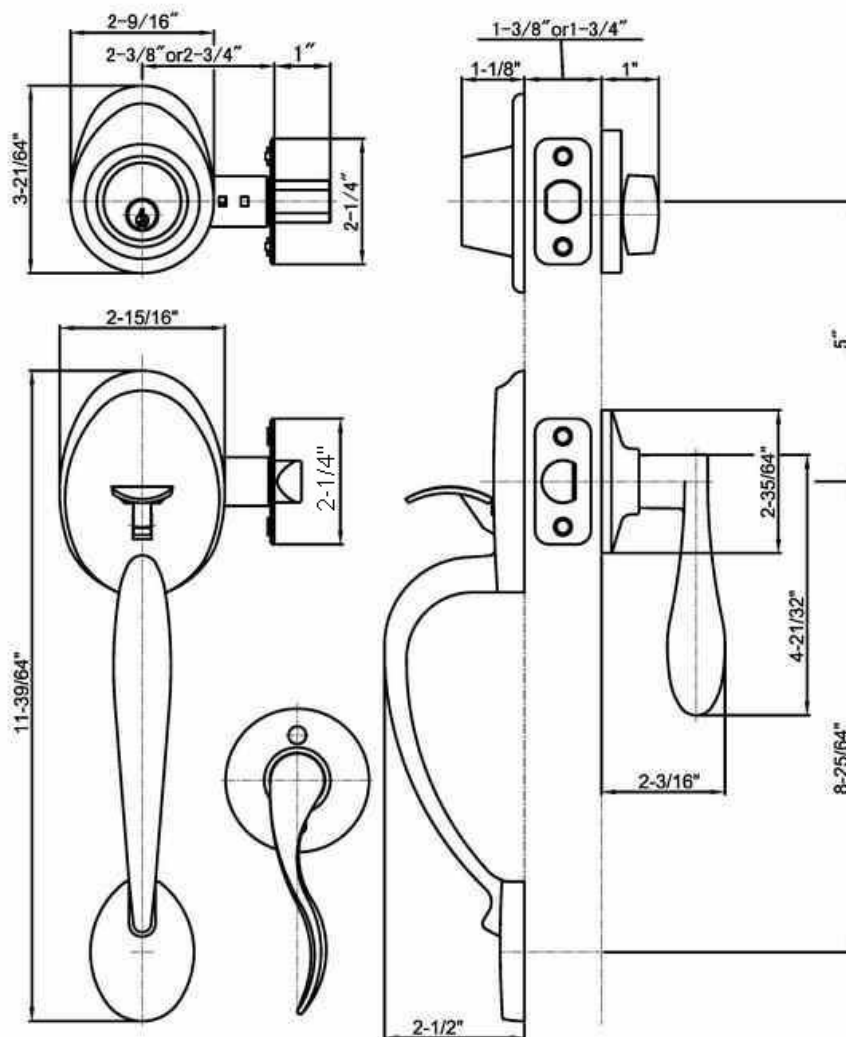
Philadelphia Hardware Group, Inc.

6590 Top Gun Street
San Diego, CA 92121
www.philihardware.com

Tel
858.642.0450
858.545.2309
Fax
858.642.0454

DIMENSIONS

(EXAMPLE: SINGLE CYLINDER)



SAN DIEGO

•

CHICAGO