



Philadelphia Hardware Group, Inc.

6590 Top Gun Street
San Diego, CA 92121
www.philihardware.com
Tel
858.642.0450
858.545.2309
Fax
858.642.0454

Recessed Paper Holder

CHELSEA SERIES

SPECIFICATIONS

- Material: Zinc die-cast Body
- Countersunk mounting application
- Dia. 7/8" x 6" Plastic roller with spring tension
Chrome plated ABS roller available
- Finish: US3 Polished Brass
US26 Polished Chrome
US15 Satin Nickel



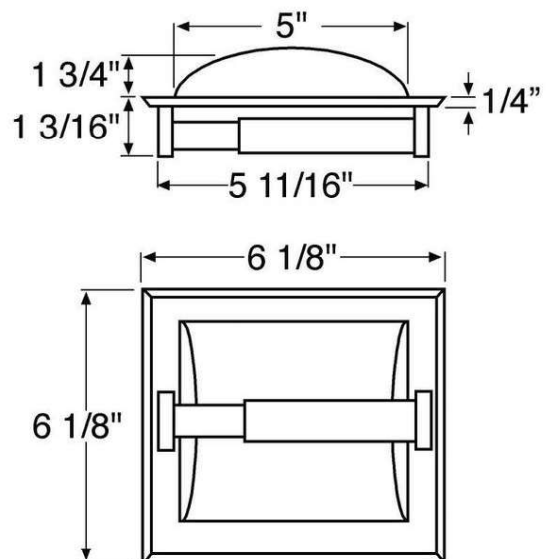
Recessed Paper Holder
US26

PARTS

- Plastic anchors x 2
- #10 x 2" steel Phillips head screws x 2

DIMENSIONS

- Projection: 1-3/16" from the mounting surface
- Recessed Depth: 1-3/4"
- Overall Size: 6-1/8" x 6-1/8"



SAN DIEGO

CHICAGO

SEATTLE