



Philadelphia Hardware Group, Inc.

6590 Top Gun Street
 San Diego, CA 92121
www.philihardware.com

Tel
 858.642.0450
 858.545.2309
 Fax
 858.642.0454

CitiLoc 500T Series

**GRADE 3
 ARCADIA**

SPECIFICATIONS



Door Prep	Cross bore: 2-1/8" Edge bore: Edge Bore: 1" Latch Face: 1" x 2-1/4"
Backset	Fits both 2-3/8" and 2-3/4".
Door Fitting	1-3/8" ~ 1-3/4" door thick.
Exposed Trim	Brass, Zinc Alloy or Stainless Steel
Keys	Key as requested (KA, KD, MCK, MK, GMK).
Cylinder	KW1 standard, SC1 optional.
Latch	2-3/8" and 2-3/4" adjustable Bolt: 1/2" throw. Faceplate: 1" x 2-1/4" round corner.
Strike	Full lip 1-3/4" x 2-1/4" round corner (9103).
Door Handing	Reversible, field adjustable for right hand or left hand door.
Function	500T – Entrance 501T – Passage 502T – Privacy 503T – Bathroom (interior with US26 Bright Chrome finish) 515T – Single Dummy
Finish	Stock Finish: US3 Polish Brass, US5 Antique Brass, US26 Bright Chrome US15 Satin Nickel, US10B Oil Rubbed Bronze
Lever Style	ARCADIA (AR)

SAN DIEGO



CHICAGO



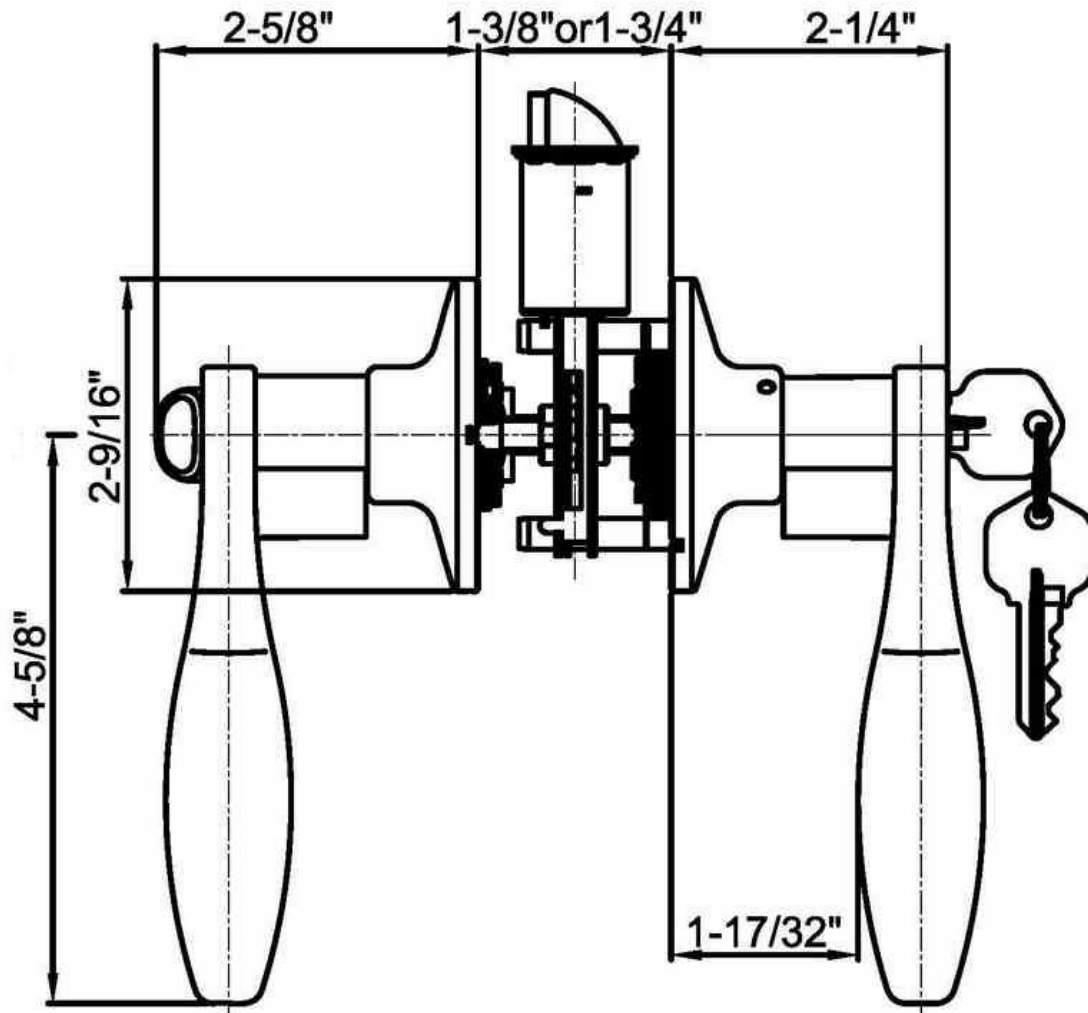
Philadelphia Hardware Group, Inc.

6590 Top Gun Street
San Diego, CA 92121
www.philihardware.com

Tel
858.642.0450
858.545.2309
Fax
858.642.0454

DIMENSIONS

(EXAMPLE: ENTRANCE)



SAN DIEGO

CHICAGO