

NE Series

INTERIOR LEVERSET

GRADE 3

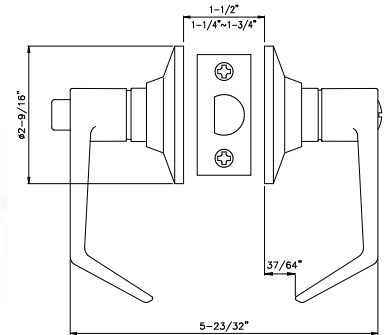
Features

- Concealed Mounting Screws
- Fast and Easy Installation
- Panic Proof (inside always free)
- Push Button for Privacy Function



ADA compliant
ANSI A117.1
Barrier Free
Accessibility

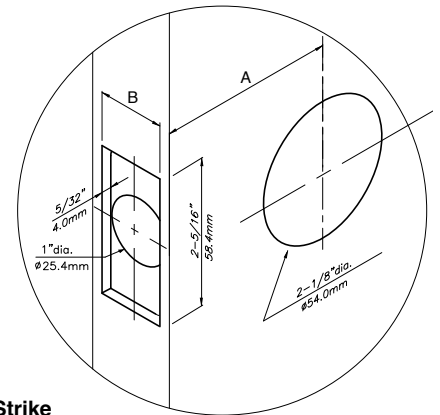
502NE-CT
Charlotte (CT) Lever



Specifications

Door Fitting	1-9/32" ~ 1-3/4" door thick, including 1-3/8" door thick.
Exposed Trim	Wrought brass or stainless steel. Pressure cast zinc lever.
Lock Chassis	Dichromated steel.
Latch	1/2" throw latch bolt. 1" x 2-1/4" Mortise Latch. 2-3/8" and 2-3/4" adjustable backset.
Strike	T-Strike standard (9101). Full Lip Strike optional (9103).
Handing	Universal, non-handing.
Screws	Combination screws for both metal and wood doors.

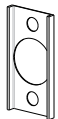
Door Preparation



Latch & Parts



N90A3T (kick-off)
Adjustable Spring Latch
for 2-3/8" and
2-3/4" backset



1180
Faceplate Adapter
Use on 1" width
for 1-1/8" width
requirement



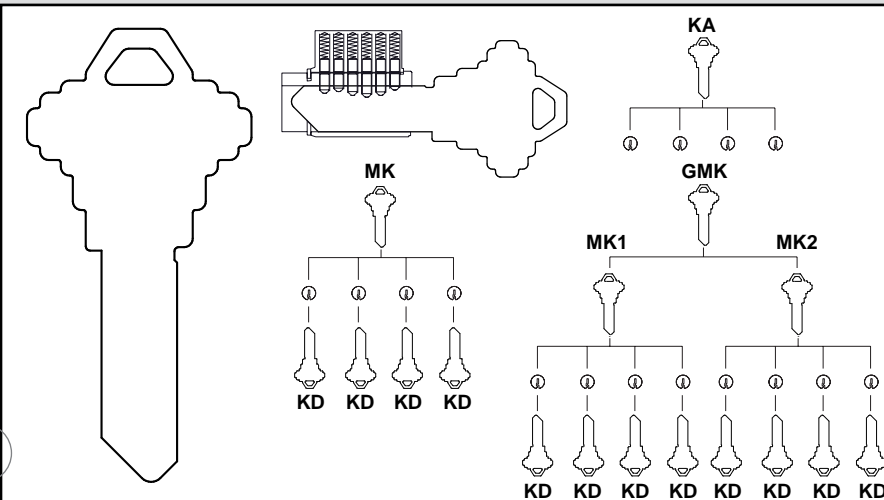
9101
T-Strike
1-1/8" x 2-3/4"



9103
Full Lip Strike
1-3/4" x 2-1/4"

Backset	2-3/4"	2-3/8"
A	2-3/4"	2-3/8"
B	1-3/16"	1-1/16"

Keying System



Comply with ANSI A156.28 for Keying Systems.

Keys & Keying Kits

