



Philadelphia Hardware Group, Inc.

6590 Top Gun Street
San Diego, CA 92121
www.philihardware.com
Tel
858.642.0450
858.545.2309
Fax
858.642.0454

Double Robe Hook

CHELSEA SERIES

SPECIFICATIONS

- Material: Zinc die-cast
- Concealed surface mounting application
- Finish: US3 Polished Brass
US26 Polished Chrome
US15 Satin Nickel



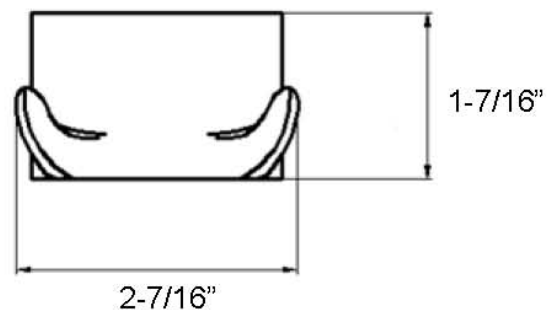
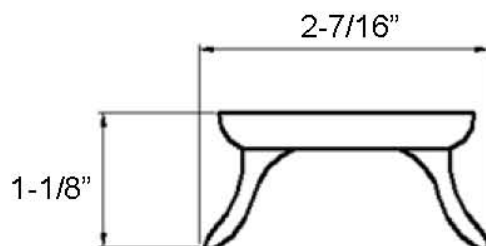
Double Robe Hook
US3

PARTS

- Steel mounting plate x 1
- Plastic anchors x 2
- #8 x 1-1/4" steel Phillips head screws x 2

DIMENSIONS

- Projection: 1-1/8" from the mounting Surface
- Overall Size: 1-7/16" x 2-7/16"



SAN DIEGO

•

CHICAGO

•

SEATTLE