



**Philadelphia Hardware Group, Inc.**

6590 Top Gun St.  
San Diego, CA 92121  
www.philhardware.com  
Tel: 858-642-0450  
Fax: 858-642-0454

# CA Series

**COMMERCIAL  
GRADE 2**

**ANSI GRADE 2**  
ANSI/BHMA A156.2-2011  
Series 4000, Grade 2  
Exceeds 400,000 Cycles



3 Hours Fire Rating  
UL10C/UBC 7-2(1997)  
Positive Pressure Rated

**LISTED**



**100CA-BA-US32D  
Entrance (F109)**

## Features

- SC4 6-pin Standard
- Concealed Mounting Screws
- Fast and Easy Installation
- Panic Proof (inside always free)

## SPECIFICATIONS

Backset	Fits 2-3/4". Available for backset 2-3/8", 3-3/4" and 5".
Door Fitting	1-3/8" ~ 1-3/4" door thick. Factory preset at 1-3/4".
Door Prep.	Cross bore 2-1/8", edge bore 1". Fits standard 161 cut outs.
Exposed Trim	Wrought brass or Stainless Steel.
Keys	2 brass keys per set. Key as requested (KA, KD, MCK, MK, GMK).
Cylinder	Solid brass SC4 6-pins standard.
Latch	1/2" throw stainless steel latch bolt. 2-3/4" backset-1-1/8" x 2-1/4" faceplate mortise latch. (available for 1" width) 2-3/8" backset-1-1" x 2-1/4" faceplate mortise latch.
Strike	T-Strike standard (9106). ASA Strike optional (9109).
Door Handing	Universal, non-handing.
Function	See function chart
Finish(BHMA)	US10B(613), US26D(626), US32D (630)

**SAN DIEGO**

**CHICAGO**

**ATLANTA**

**DALLAS**

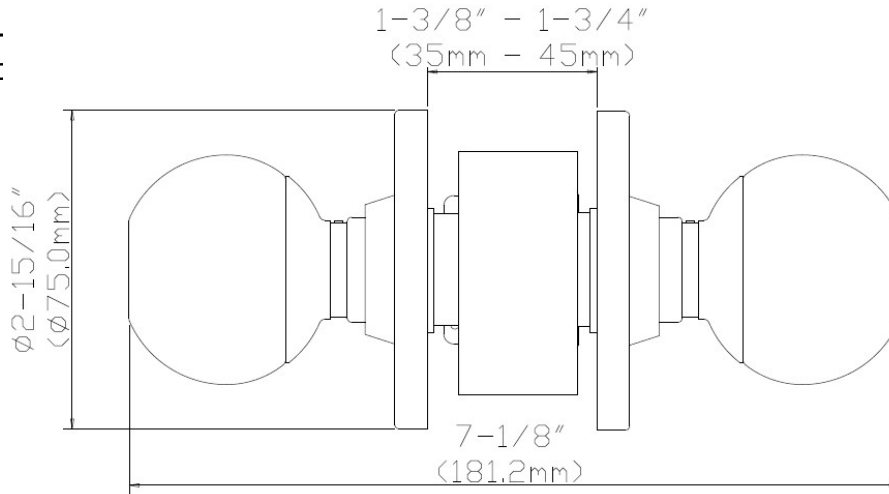


**Philadelphia Hardware Group, Inc.**

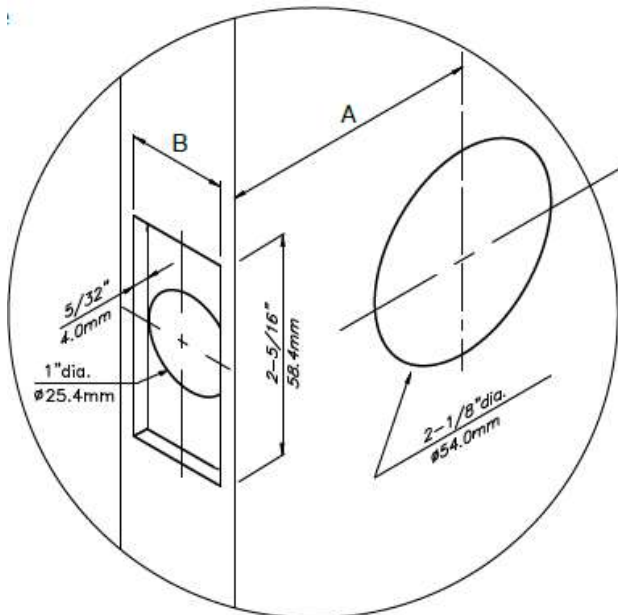
6590 Top Gun St.  
 San Diego, CA 92121  
 www.philhardware.com  
 Tel: 858-642-0450  
 Fax: 858-642-0454

**DIMENSIONS**

100CA-  
Entranc



**DOOR PREPARATION**



Backset	2-3/4"	2-3/8"
A	2-3/4"	2-3/8"
B	1-3/16"	1-1/16"

**FUNCTIONS**

FUNCTION	KNOB CODE	ANSI
<b>Keyed</b>		
ENTRANCE (turn/push button)	100CA	F109
STOREROOM	104CA	F86
CLASSROOM	109CA	F84
ENTRANCE/ OFFICE (push button)	117CA	F82
<b>Non-key</b>		
PASSAGE	101CA	F75
PRIVACY	102CA	F76
SINGLE DUMMY	115CA	N/A

**SAN DIEGO**

**CHICAGO**

**ATLANTA**

**DALLAS**