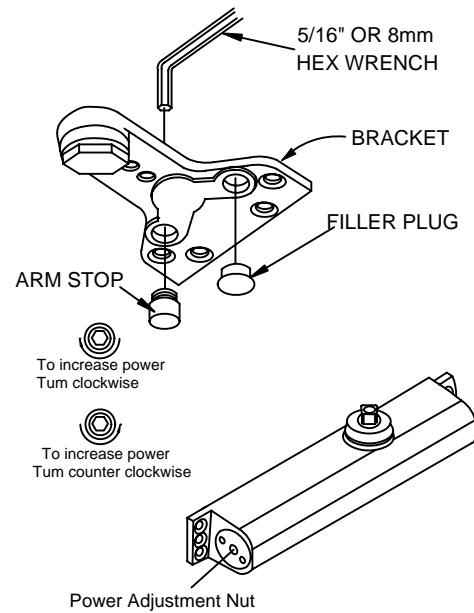
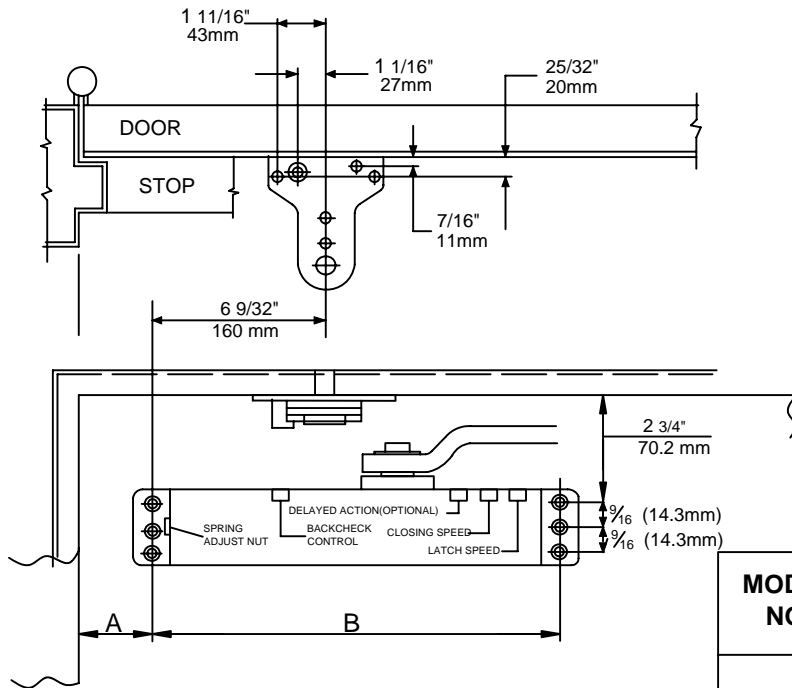


# 9000 SERIES DOOR CLOSER INSTALLATION INSTRUCTION

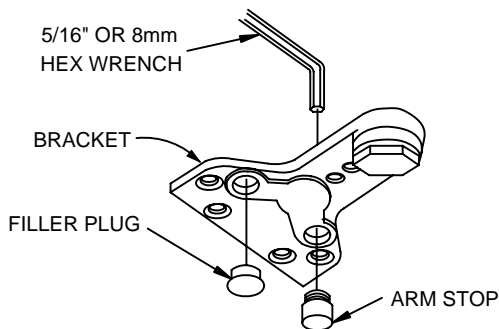
Cush Stop Arm 9002/Cush Hold Open Arm 9003 only

## PARALLEL ARM(PUSH SIDE)Mounting LEFT HAND DOOR SHOWN

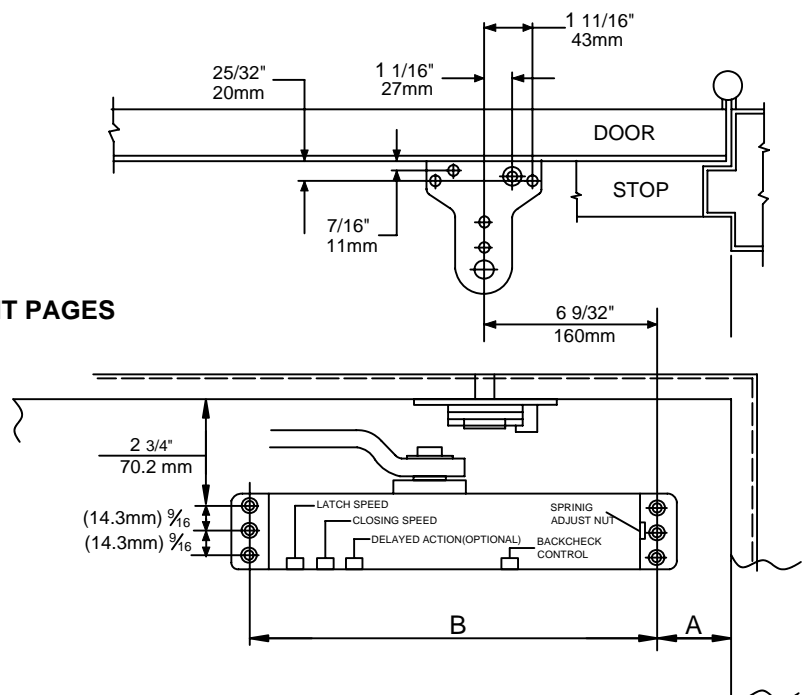


**DOOR CLOSER ADJUSTMENT**  
Please refer to 900 series ADJUSTMENT PAGES

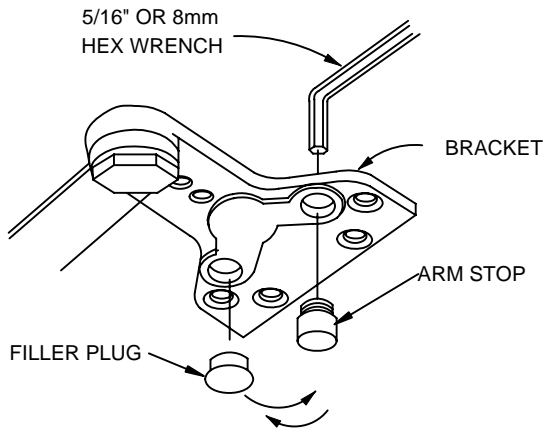
MODEL NO.	OPENING	DIMENSION	
		A	B
900 Series	To 120°	3 15/16" (100)	11 1/8" (282.5)
	121°-180°	2" (50.8)	11 1/8" (282.5)



## PARALLEL ARM(PUSH SIDE)Mounting RIGHT HAND DOOR SHOWN



**DOOR CLOSER ADJUSTMENT**  
Please refer to 9000 SERIES ADJUSTMENT PAGES



INTERCHANGEABLE FOR DOOR HANDING

THE HAND MUST BE DETERMINED & CHANGED IF NECESSARY BEFORE THE BRACKET IS MOUNTED TO THE DOOR STOP(TOP JAMB).

Refer to page 1.

**FOR LEFT HAND DOORS**

All brackets are shipped assembled for LEFT HAND DOOR. Insert  $\frac{5}{16}$ "(8mm) hex wrench into ARM STOP and Turn counter clockwise to seat as tightly as possible. Push filler plug in firmly.

**FOR RIGHT HAND DOORS**

Pull filler plug out of bracket

Use a  $\frac{5}{16}$ "(8mm) hex wrench, Turn ARM STOP clockwise to remove from bracket insert hole . Turn hex wrench counter clockwise to seat ARM STOP as tightly as possible. Push filler plug into other hole.

# INSTALLATIION SEQUENCE

LEFT HAND DOOR SHOWN - RIGHT HAND DOOR OPPOSITE

## INSTALLATION INSTRUCTIONS

**⚠ CAUTION**

IMPROPER INSTALLATION OR REGULATION  
MAY RESULT IN PERSONAL INJURY OR  
PROPERTY DAMAGE. FOLLOW ALL  
INSTRUCTIONS CAREFULLY.

1. Using template dimensions shown above. Mark FOUR (4) HOLES ON DOOR for door closer and THREE (4) HOLES ON FRAME for parallel bracket.
2. Mount closer on door using screws provided. SPEED ADJUSTING VALVE MUST BE POSITIONED AWAY FROM HINGE EDGE
3. Adjusting spring power to match door width or weight as indicated by Power Adjustment Chart shown on 9000 SERIES INSTALLATION INSTRUCTION SHEET.
4. Mount closer on door to dimensions shown on page 1

## IMPORTANT REMARKS

Do NOT allow door to slam into frame.  
A normal standard closing time from 90° open position is 5 to 7 seconds evenly divided between main closing (Sweep) speed and latching speed. Adjust the CLOSING First, then adjust the LATCHING speed.

For slower closing speed of door, turn adjusting valve clockwise and counter clockwise for faster speed.

Latching speed control of door is the same as closing speed adjustment.

## ADJUSTABLE BACKCHECK FUNCTION

This function is essential to proper operation of HEAVY DUTY ARM W/ DEAD STOP. Use enough to prevent arm from striking stop with impact. See page 1.

## ATTACH COVER ( if packed)

Install cover securely using screws provided.

## HOW TO HOLD -OPEN

A quarter turn on the HOLD-OPEN CONTROL HANDLE engages or disengages hold -open.

