



# 9800/F9800 Series Grade 1 Mortise Exit Device

**ANSI GRADE 1**  
**ANSI/BHMA A156.3-2014**  
**Type 3**  
Exceeds 500,000 Cycles



UL Listed for "A" Label Doors  
Rated Up to 3 Hours  
UL10C Positive Pressure Rated  
Conforms to UBC 7-2 (1997)  
UL305 Listed for Panic Hardware  
UL10B Neutral Pressure Rated



Comply with  
ANSI117.1 for  
Accessible and  
Usable Buildings  
and Facilities  
Standards



When ordering a Mortise Lock Exit Device, it is recommend to choose a model of trims together and specify its lever design and finish.  
Example:  
9800-36-908ELM-CT-US32D  
(Trim: 908ELM: Type 08 Escutcheon Trim)

## SPECIFICATIONS

### CERTIFICATIONS

- ANSI Grade 1 approved, exceeds 500,000 cycles.
- UL Listed for up to 3hrs on "A" label Fire Doors.
- Comply with ANSI117.1 for accessible and usable Buildings and Facilities Standards.

### DOOR FITTING

- 1-3/4" ~ 2" thick standard.

### DOOR WIDTH

- 36", rail can be cut from the end to fit door size down to 30".
- 48", rail can be cut from the end to fit door size down to 40".

### MOUNTING HEIGHT

- 39-3/16" from CL of Mortise Latch case to finished floor.

### STRUCTURE

- Head Cover – Plated Zinc Alloy.
- Chassis – Steel or Stainless Steel.
- End Cap – Plated Zinc Alloy.
- Rail Assembly – Heavy Gauge Extruded Aluminum.

### LATCH CASE

- Standard ANSI Size with faceplate 8" x 1-1/4".
- Backset – 2-3/4" standard for ANSI Mortise Latch Case.
- Latch Bolt – Stainless Steel, 3/4" throw with auxiliary deadlocking latch.

### STRIKE

- Stainless Steel, 4-7/8" x 1-1/4" x 3/32" ASA strike, curve lip. (9109M)

### FASTENERS

- 9800 – Furnished with wood & machine Screws.
- F9800 – Sex nuts and bolts (SNB).

### FINISH

- US32D (630) with anodized US26D aluminum body.
- US10B (613) Oil Rubbed Bronze.
- US19 (622) Matte Black.
- Special order for US26 (625) Polish Chrome.

### HANDING

- Reversible non-handed.

### DOGGING

- Standard for 9800.
- Cylinder Dogging Kit 9CD36/9CD48 available.

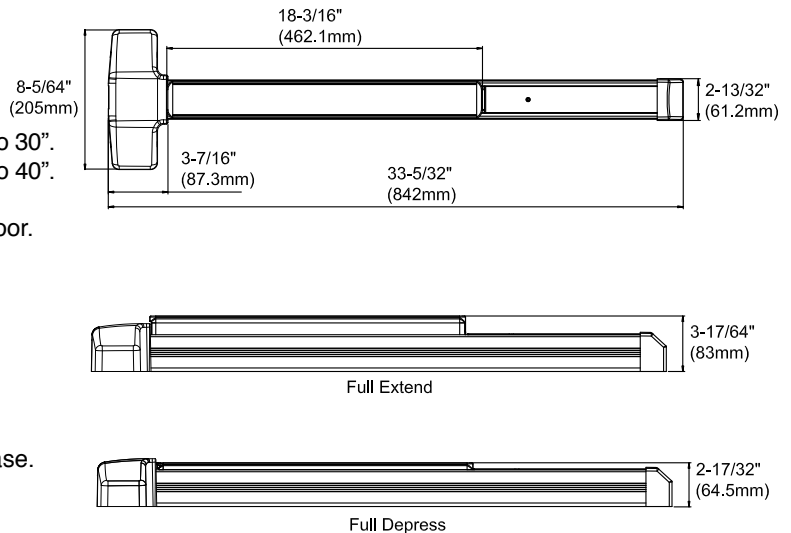
### ALARM

- Alarm Kit 9AK36/9AK48 available.

## DIMENSIONS

Projection: 3-17/64" maximum, 2-17/32" dogged.

Overall Size: 8-5/64" Height x Width 33-5/32" or 45-5/32".



# Outside Trim, Strikes & Fillers, and Accessories for 9800



25-Year Warranty

## OUTSIDE TRIMS

<p><b>900ELM Heavy Duty Escutcheon Lever Trim</b>                  Finish: US32D, US10B, US19                  Functions(ANSI):                  908ELM Entrance(08)                  914ELM Passage(14)                  903ELM Storeroom(09)                  902ELM Dummy(02)</p>		<p>Using Square Spindle</p>		<p><b>90° Offset Door Pull</b>                  1" Dia.                  S1010 - 10" CTC                  S1012 - 12" CTC</p>
		<p>Stock Levers:</p> <p>CT SD</p>		

## STRIKES & ACCESSORIES

<p><b>ASA Strike with Curve Lip</b>                  For 9800/F9800</p>		<p><b>Dogging Key</b></p> <p>9201-29</p>	<p><b>Filler</b></p> <p>9222                  Latch front filler                  1-1/8" x 2-1/4"</p>	<p><b>Filler</b></p> <p>9209                  ASA strike filler                  1-1/4" x 4-7/8"</p>
<p><b>Sex Bolt</b>                  For Door 1-3/4" ~ 2"                  1344 - for 9800/F9800(4pcs)</p> <p>For Door 2" ~ 2-1/4"                  2144 - for 9800/F9800(4pcs)</p> <p>Finish: US32</p>		<p><b>Mortise Latch Case</b></p> <p>707P</p>	<p><b>Cylinder Dogging Kit</b></p> <p>9CD36 - for Exit Device 36"                  9CD48 - for Exit Device 48"</p>	<p><b>Alarm Kit (with decal)</b></p> <p>9AK36 - for door width 36"                  9AK48 - for door width 48"</p>